

OPERATING INSTRUCTIONS
READ BEFORE OPERATING

!!!! DANGER !!!!

Exercise EXTREME CAUTION when plowing and always at a slow speed.

!!!! WARNING !!!!

TO AVOID SERIOUS INJURY OR DEATH:

1. DO NOT EXCEED 5 MPH WITH BLADE INSTALLED.
2. OPERATE WITH EXTREME CAUTION ON SLOPES, STEEP GRADES AND ROUGH TERRAIN.
3. KEEP AWAY FROM BLADE AND MOVING PARTS DURING OPERATION.
4. WHEN PLOWING DIRT OR SNOW INTO A PILE START BACKING UP BEFORE RAISING BLADE.
5. DO NOT RAM THE BLADE INTO THE PILE. ** SLOW DOWN BEFORE HITTING PILE. **
6. BE AWARE OF POSSIBLE HIDDEN OBJECTS UNDER SNOW.

!!! CAUTION !!!

TO AVOID PERSONAL OR OTHER INJURY:

1. READ BLADE OWNER'S MANUAL, ZTR MOWER OPERATOR'S MANUAL, AND SAFETY DECALS BEFORE OPERATING.
2. WEAR HEAD PROTECTION, SAFETY GLASSES, AND SHOES AS RECOMMENDED IN ZTR MOWER OPERATOR'S MANUAL.
3. ALLOW NO RIDERS ON BLADE OR ZTR MOWER WHILE MOVING OR STATIONARY.
4. KEEP BYSTANDERS AWAY FROM BLADE OR ZTR MOWER WHILE MOVING OR STATIONARY.
5. BEFORE ADJUSTING BLADE ANGLE, STOP ZTR ENGINE, SET AND LOCK BRAKES, RAISE BLADE. DO NOT ATTEMPT TO RAISE BLADE BY HAND.
6. BEFORE ADJUSTING BLADE HEIGHT: LOWER BLADE TO THE DOWN POSITION.
7. WHEN BLADE IS NOT IN USE, STOP ENGINE, SET AND LOCK BRAKES, AND LOWER BLADE TO DOWN POSITION.

!!!! OPERATION !!!!

*** Your blade and hardware were designed with your safety in mind. In order to protect you and your ZTR mower, certain parts of the blade and/ or hardware are designed to fail when the equipment is over stressed. For this reason Push Tubes, Blade Hinges, Tube Frame Attaching Brackets, Push Plate Attaching pins and Clevis Pins are not covered by warranty.

* Blade angle is adjustable. Move blade to the up position. To move the blade left, right or straight, pull the Blade Position Lever ahead and turn the blade to the desired position. The Lever will spring back when the blade is at the correct angle.

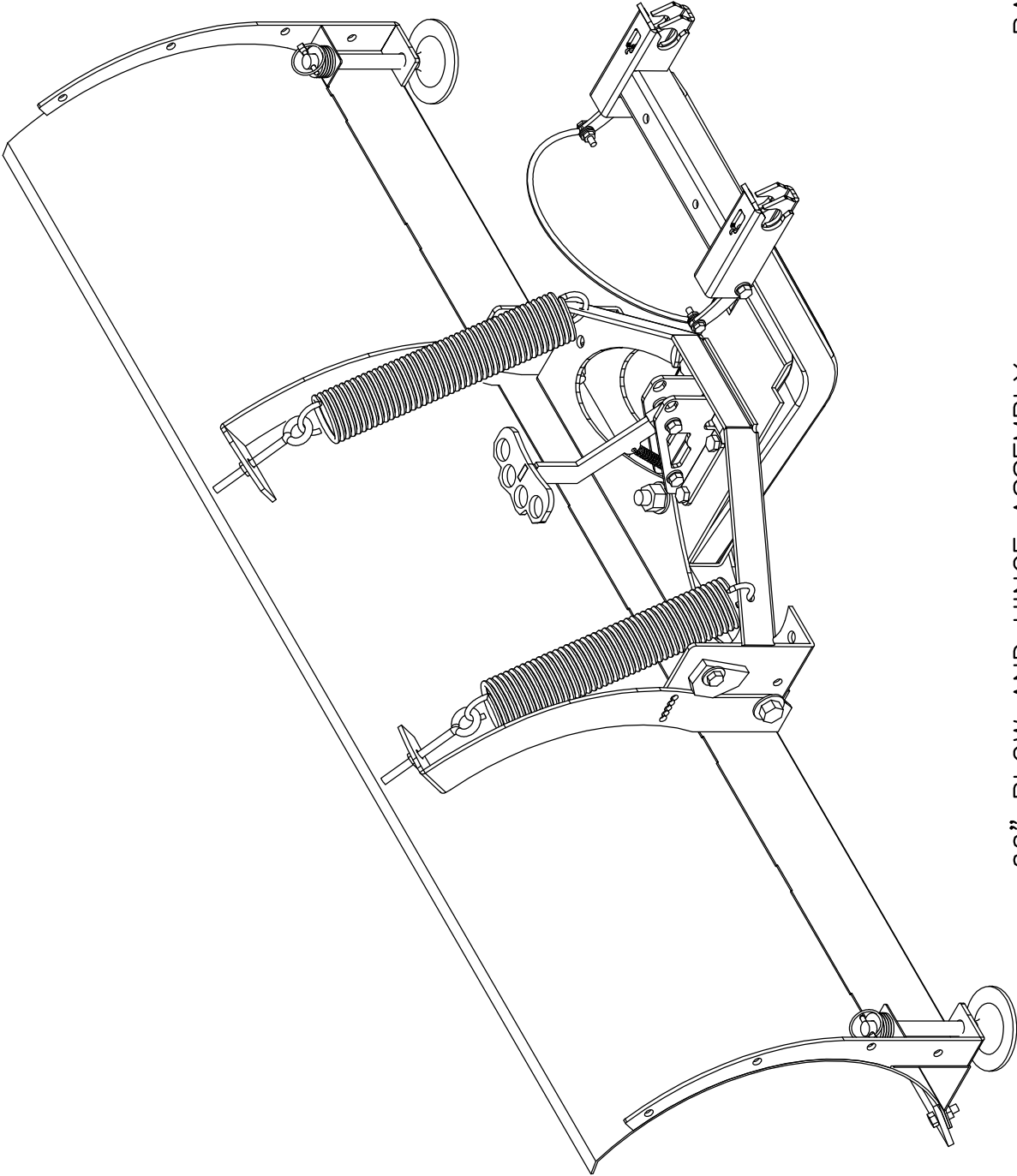
* The blade is raised or lowered using the control switch. The blade skids are adjustable so the blade can be lowered but still held a certain distance off the ground.

* The blade is designed to trip when it strikes an object or digs in too far. When pressure is released the blade springs into position. Blade spring tension may be set stiffer by tightening the Locknuts on the bottom of the Eyebolts. For less spring tension, loosen the Locknuts.

*Do not exceed 5 MPH with blade installed.

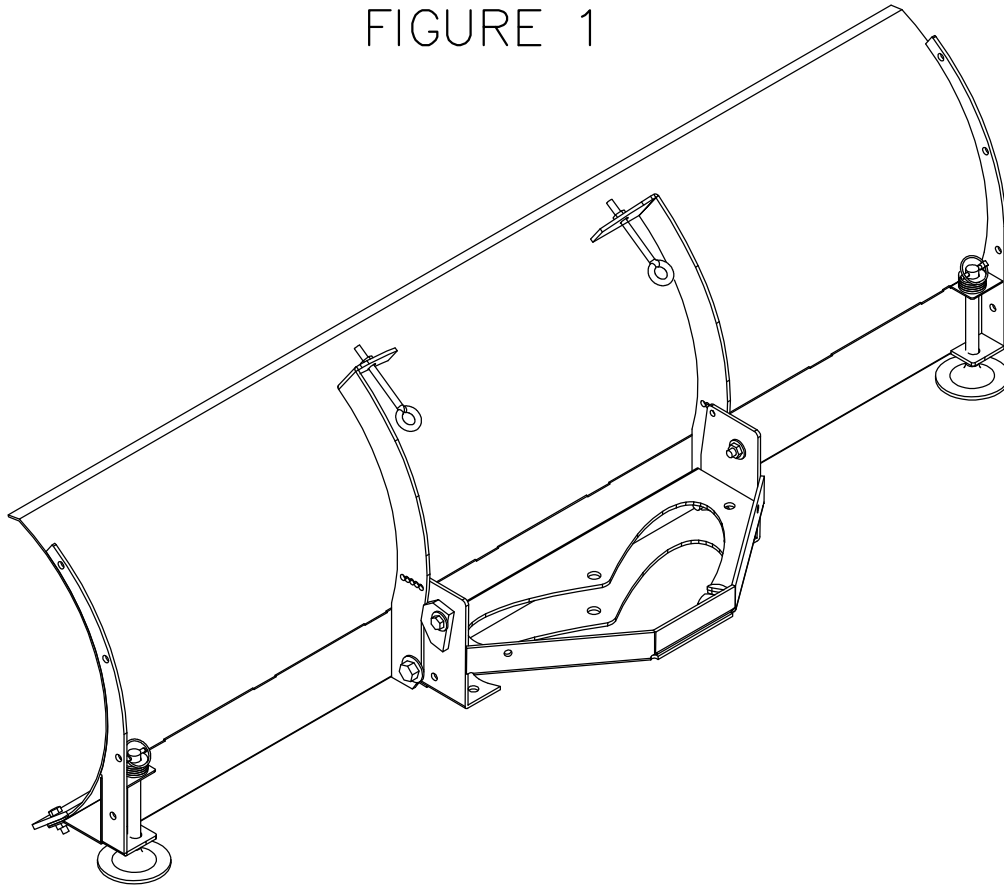
*Operate with extreme caution on slopes, steep grades and rough terrain.

*Keep away from blade and moving parts during operation.



60" PLOW AND HINGE ASSEMBLY	_____	PAGE 2
QUICK CONNECT ASSEMBLY	_____	PAGE 4
PLOW/HINGE/PUSH TUBE ASSEMBLY	_____	PAGE 6
BLADE POSITION LEVER ASSEMBLY	_____	PAGE 8

60" PLOW AND HINGE ASSEMBLY FIGURE 1



PLOW AND HINGE ASSEMBLY PER FIGURE 1 AND FIGURE 2
PARTS REQUIRED PER THE BILL OF MATERIALS BELOW

ITEM NO.	QTY.	PART NO.	DESCRIPTION
1	1	ZTRW0013B	60" PLOW
2	1	ZTRP0059B	60" CUTTING EDGE
3	1	ZTRW0012	HINGE
4	2	ZTRP0060	STAR ADJUSTED BLOCK
5	12	PUR0400	SKID
6	2	PUR1359	QUICK PIN 3/16" x 1.5"
7	10	-	FLAT WASHER 5/8" SAE
8	2	-	EYE BOLT 5/16" x 4.25"
9	2	-	BOLT 3/8" x 1.25"
10	4	-	FLAT WASHER 3/8" SAE
11	2	-	NYLOCK NUT 3/8"
12	2	-	BOLT 1/2" x 1.5"
13	4	-	FLAT WASHER 1/2" SAE
14	2	-	NYLOCK NUT 1/2"
15	9	-	BOLT 5/16" x 1.0"
16	11	-	NYLOCK NUT 5/16"

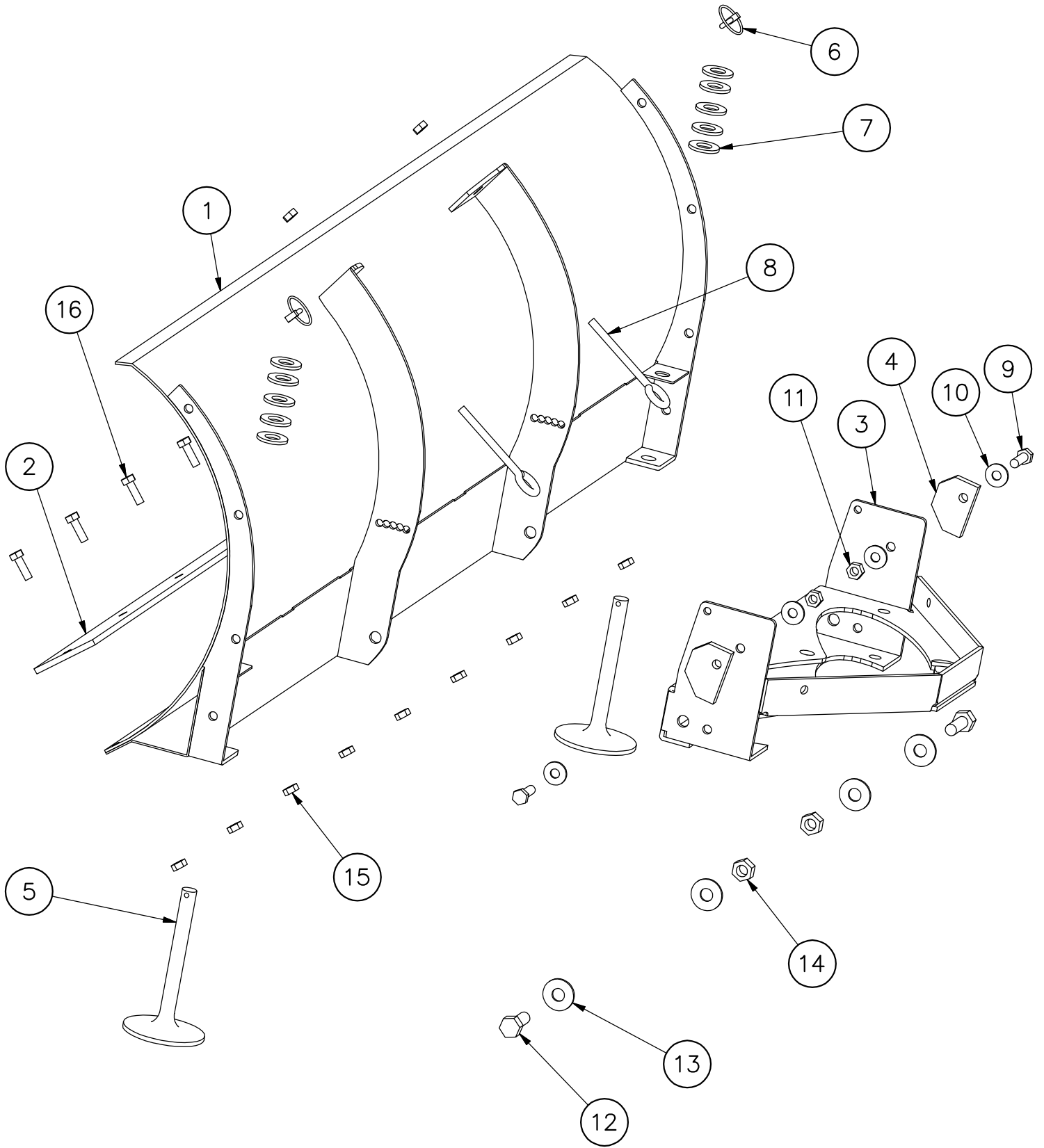


FIGURE 2

QUICK CONNECT ASSEMBLY

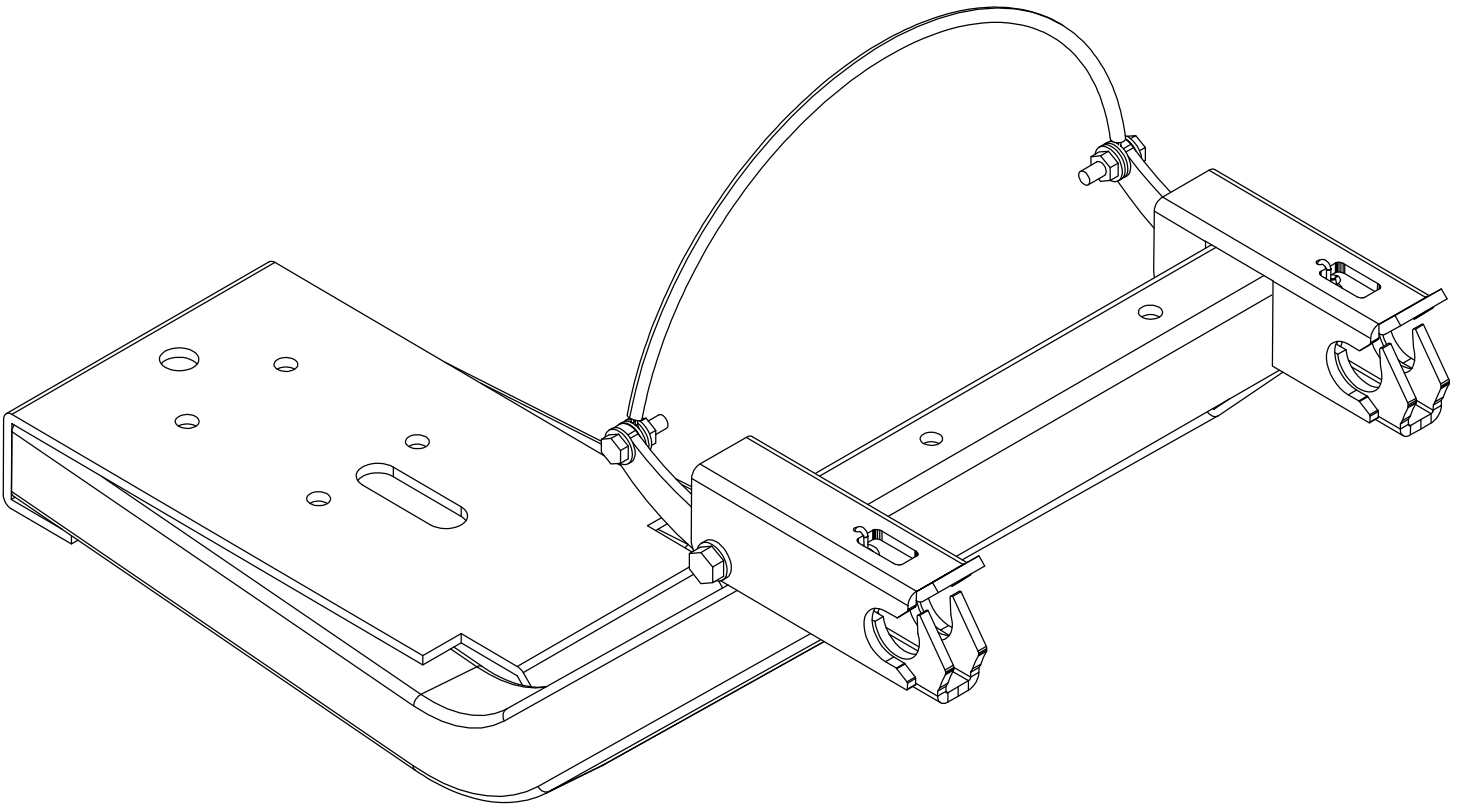
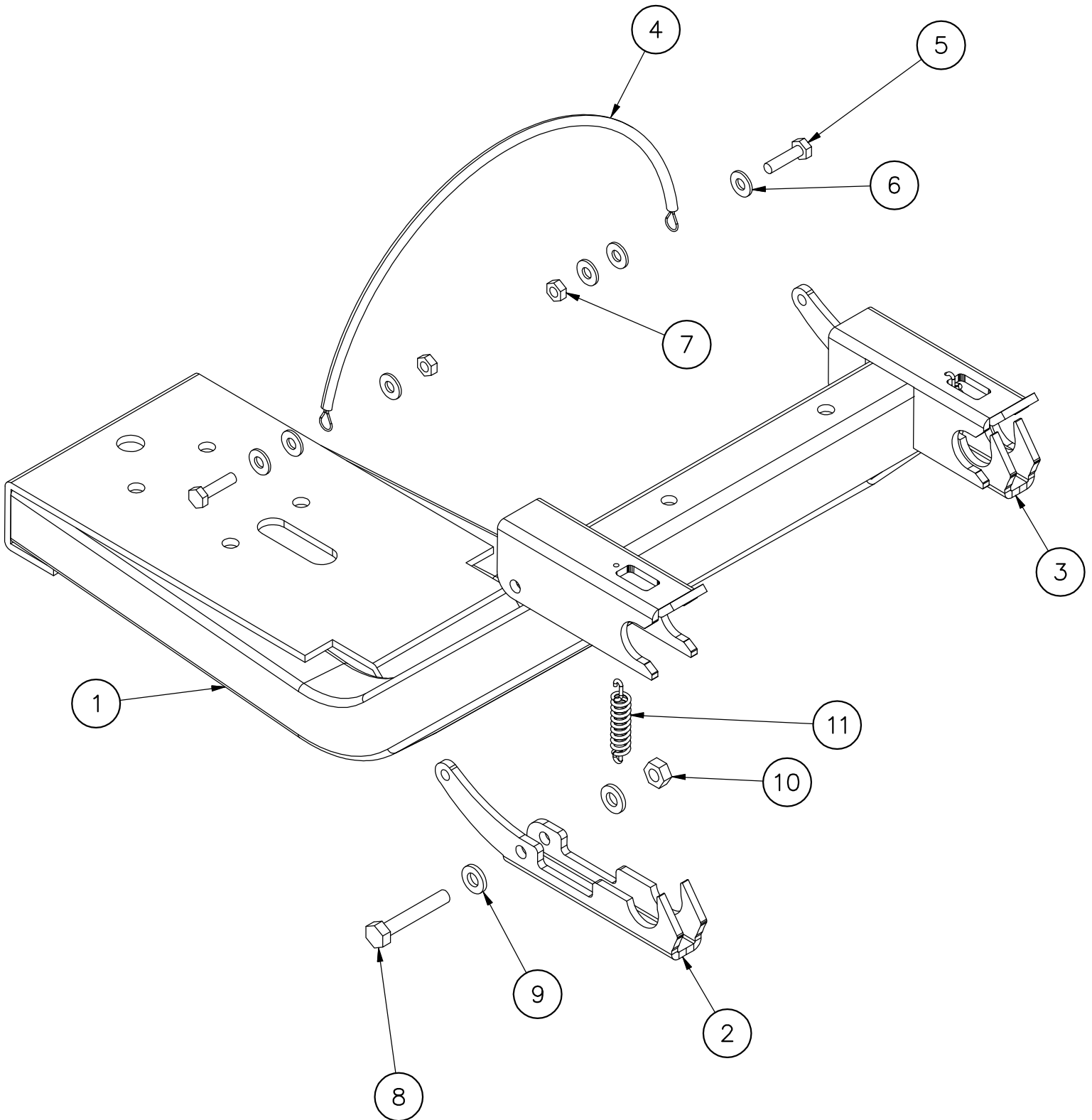


FIGURE 3

QUICK CONNECT ASSEMBLY PER FIGURE 3 AND FIGURE 4
PARTS REQUIRED PER THE BILL OF MATERIALS BELOW

ITEM NO.	QTY.	PART NO.	DESCRIPTION
1	1	ZTRW0001A	PUSH TUBE
2	1	ZTRP0001A	LEFT LOWER QUICK CONNECT
3	1	ZTRP0001	RIGHT LOWER QUICK CONNECT
4	1	ZTRP0024	QUICK RELEASE CABLE
5	2	—	BOLT 1/4" x 1.0"
6	6	—	FLAT WASHER 1/4" SAE
7	2	—	NYLOCK NUT 1/4"
8	2	—	BOLT 5/16" x 2.0"
9	4	—	FLAT WASHER 5/16" SAE
10	2	—	NYLOCK NUT 5/16"
11	2	ZTRPUR001	QUICK RELEASE SPRING

FIGURE 4



PLOW / HINGE / PUSH TUBE ASSEMBLY

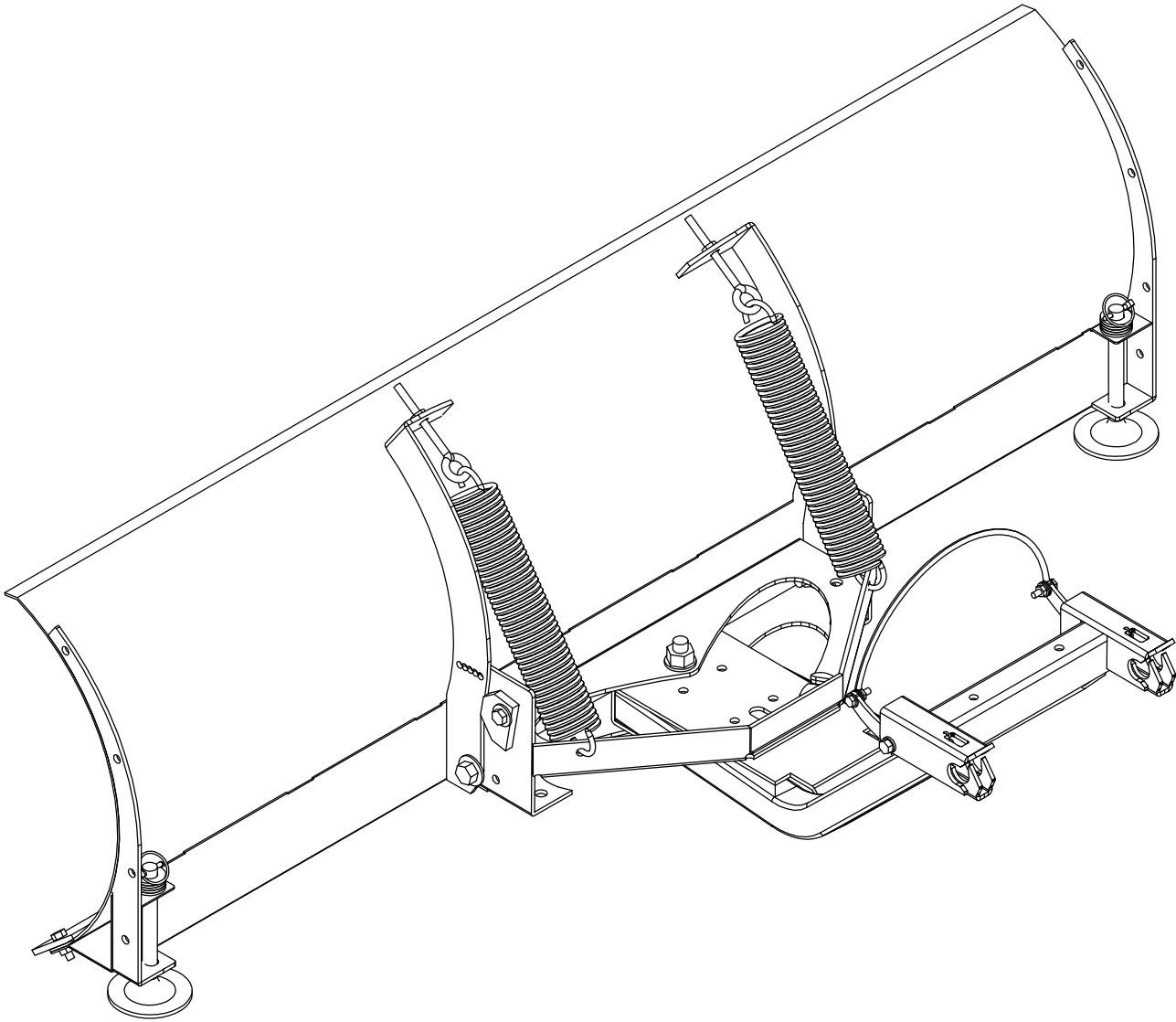
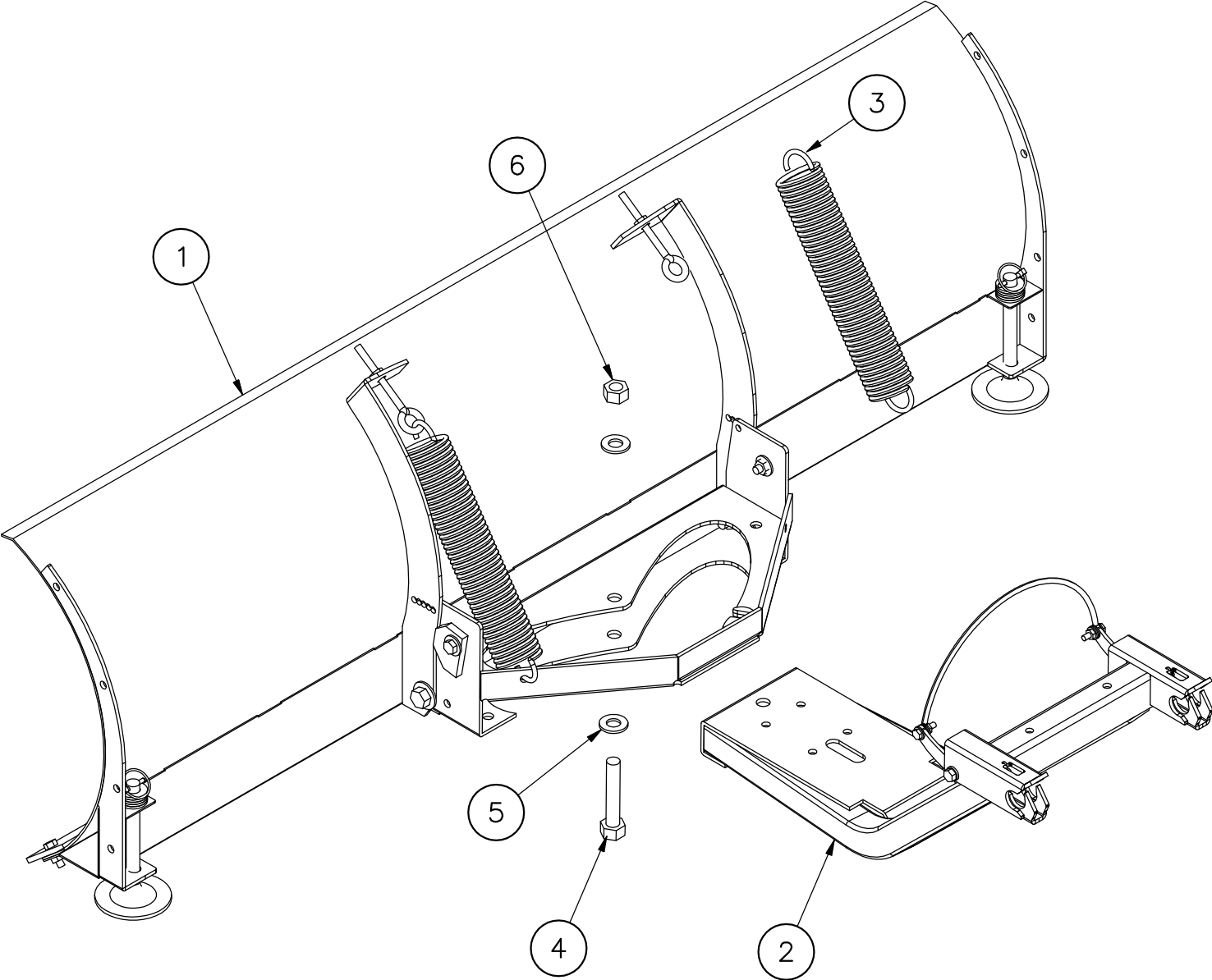


FIGURE 5

PLOW / HINGE / PUSH TUBE ASSEMBLY PER FIGURE 5 AND FIGURE 6
PARTS REQUIRED PER THE BILL OF MATERIALS BELOW

ITEM NO.	QTY.	PART NO.	DESCRIPTION
1	1	—	PLOW AND HINGE ASSEMBLY
2	1	—	QUICK CONNECT ASSY
3	1	PUR1409	BLADE SPRING
4	1	—	BOLT 5/8" x 3.5"
5	2	—	FLAT WASHER 5/8" SAE
6	6	—	NYLOCK NUT 5/8"

FIGURE 6



BLADE POSITION LEVER ASSEMBLY

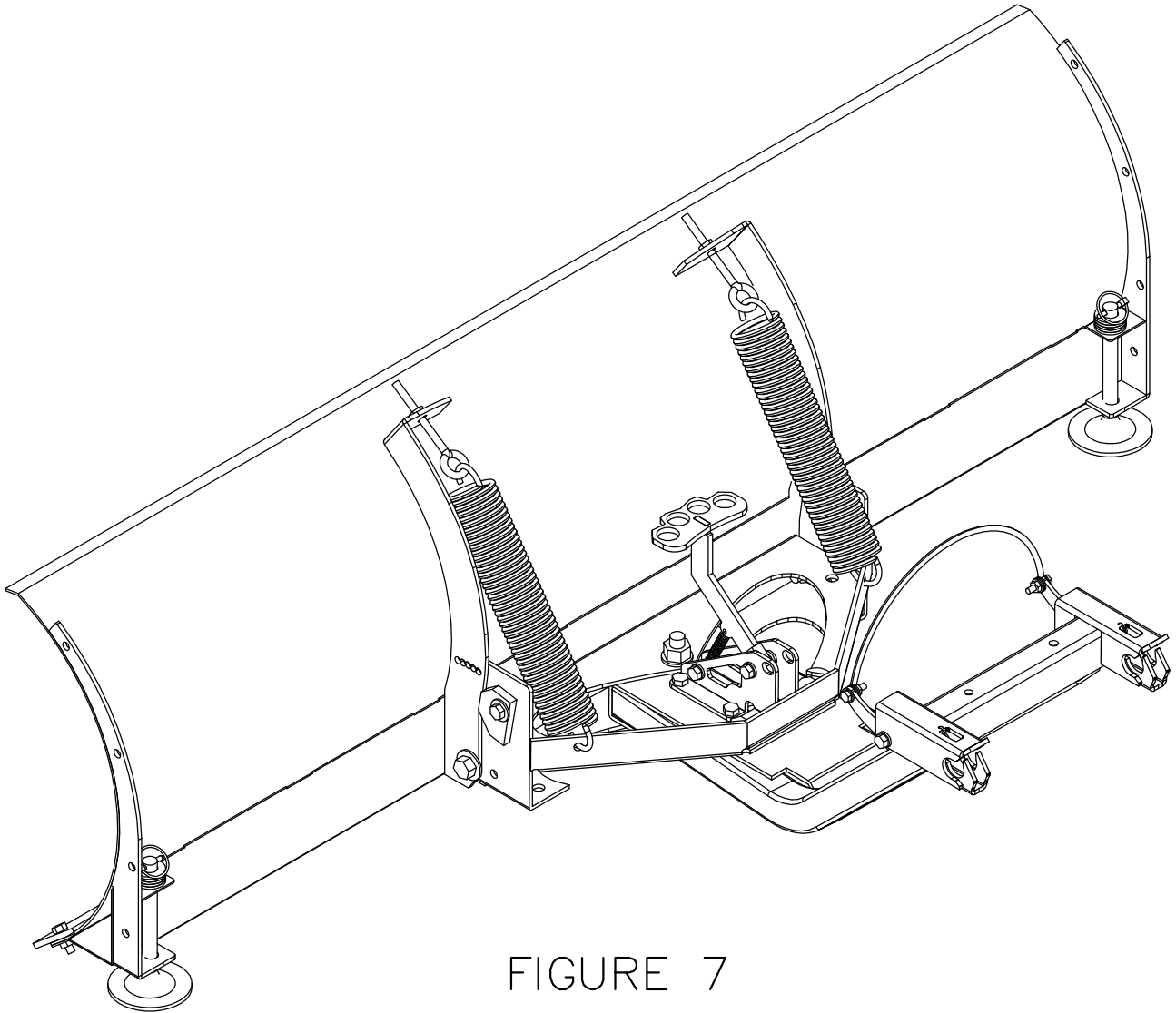


FIGURE 7

BLADE POSITION LEVER ASSEMBLY PER FIGURE 7 AND FIGURE 8
PARTS REQUIRED PER THE BILL OF MATERIALS BELOW

ITEM NO.	QTY.	PART NO.	DESCRIPTION
1	1	—	PLOW / HINGE / PUSH TUBE ASSEMBLY
2	1	ZTRW0011	BLADE POSITION LEVER
3	1	ZTRP0054A	BLADE POSITION LEVER SUPPORT
4	1	ZTRP0054A	BLADE POSITION LEVER SUPPORT
5	1	—	BLADE POSITION LEVER SPRING
6	4	—	BOLT 3/8" x 1.25"
7	4	—	FLAT WASHER 3/8" SAE
8	4	—	NYLOCK NUT 3/8"
9	1	—	BOL 5/16" x 2.0"
10	2	—	FLAT WASHER 5/16" SAE
11	6	—	NYLOCK NUT 5/16"

FIGURE 8

