

OPERATING INSTRUCTIONS
READ BEFORE OPERATING

!!!! DANGER !!!!

Exercise EXTREME CAUTION when plowing and always at a slow speed.

!!!! WARNING !!!!

TO AVOID SERIOUS INJURY OR DEATH:

1. DO NOT EXCEED 5 MPH WITH BLADE INSTALLED.
2. OPERATE WITH EXTREME CAUTION ON SLOPES, STEEP GRADES AND ROUGH TERRAIN.
3. KEEP AWAY FROM BLADE AND MOVING PARTS DURING OPERATION.
4. WHEN PLOWING DIRT OR SNOW INTO A PILE START BACKING UP BEFORE RAISING BLADE.
5. DO NOT RAM THE BLADE INTO THE PILE. ** SLOW DOWN BEFORE HITTING PILE. **
6. BE AWARE OF POSSIBLE HIDDEN OBJECTS UNDER SNOW.

!!! CAUTION !!!

TO AVOID PERSONAL OR OTHER INJURY:

1. READ BLADE OWNER'S MANUAL, ZTR MOWER OPERATOR'S MANUAL, AND SAFETY DECALS BEFORE OPERATING.
2. WEAR HEAD PROTECTION, SAFETY GLASSES, AND SHOES AS RECOMMENDED IN ZTR MOWER OPERATOR'S MANUAL.
3. ALLOW NO RIDERS ON BLADE OR ZTR MOWER WHILE MOVING OR STATIONARY.
4. KEEP BYSTANDERS AWAY FROM BLADE OR ZTR MOWER WHILE MOVING OR STATIONARY.
5. BEFORE ADJUSTING BLADE ANGLE, STOP ZTR ENGINE, SET AND LOCK BRAKES, RAISE BLADE. DO NOT ATTEMPT TO RAISE BLADE BY HAND.
6. BEFORE ADJUSTING BLADE HEIGHT: LOWER BLADE TO THE DOWN POSITION.
7. WHEN BLADE IS NOT IN USE, STOP ENGINE, SET AND LOCK BRAKES, AND LOWER BLADE TO DOWN POSITION.

!!!! OPERATION !!!!

*** Your blade and hardware were designed with your safety in mind. In order to protect you and your ZTR mower, certain parts of the blade and/ or hardware are designed to fail when the equipment is over stressed. For this reason Push Tubes, Blade Hinges, Tube Frame Attaching Brackets, Push Plate Attaching pins and Clevis Pins are not covered by warranty.

* Blade angle is adjustable. Move blade to the up position. To move the blade left, right or straight, pull the Blade Position Lever ahead and turn the blade to the desired position. The Lever will spring back when the blade is at the correct angle.

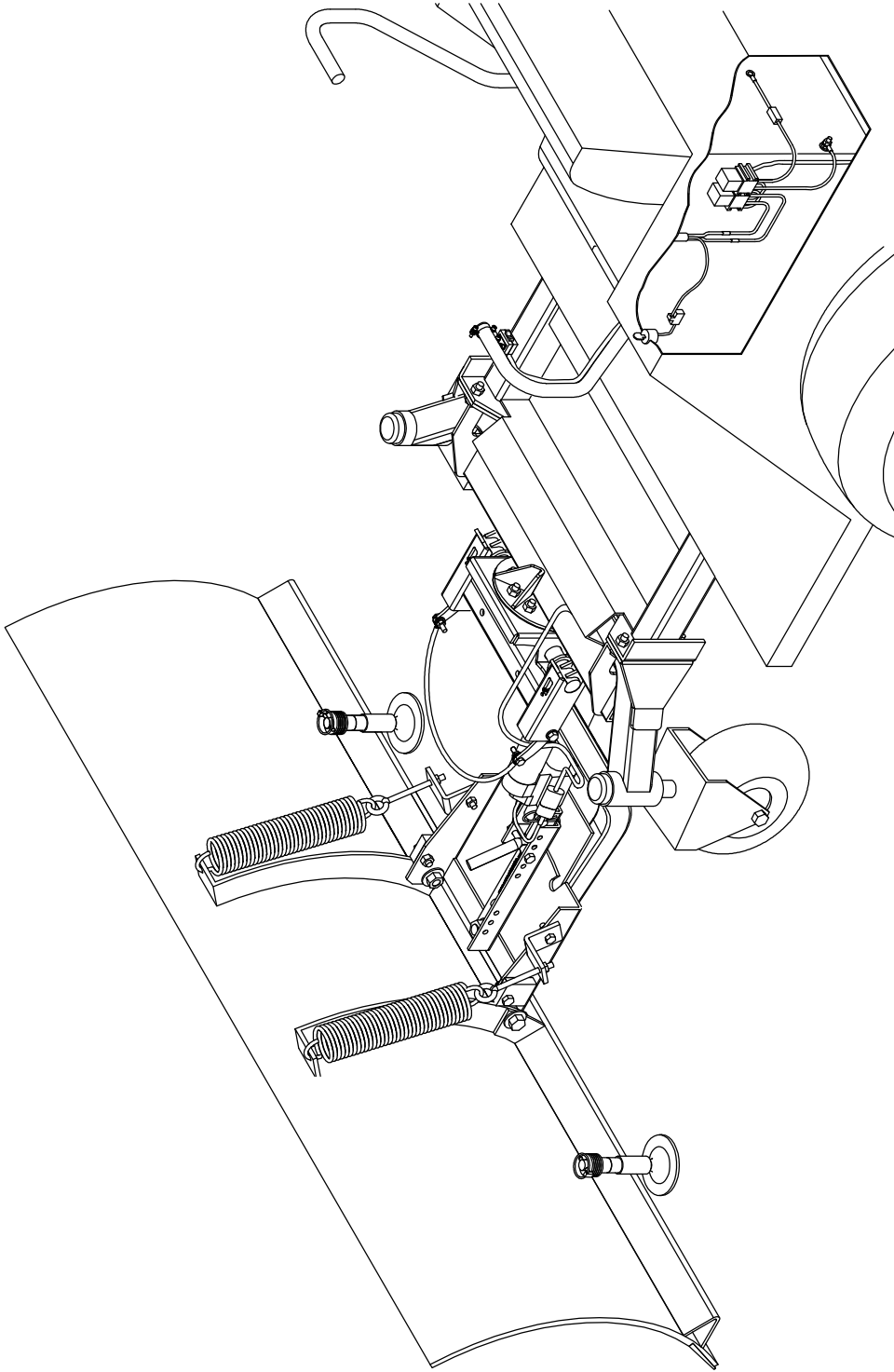
* The blade is raised or lowered using the control switch. The blade skids are adjustable so the blade can be lowered but still held a certain distance off the ground.

* The blade is designed to trip when it strikes an object or digs in too far. When pressure is released the blade springs into position. Blade spring tension may be set stiffer by tightening the Locknuts on the bottom of the Eyebolts. For less spring tension, loosen the Locknuts.

*Do not exceed 5 MPH with blade installed.

*Operate with extreme caution on slopes, steep grades and rough terrain.

*Keep away from blade and moving parts during operation.



PLOW ASSEMBLY	_____	PAGE 2
HNGE AND BLADE POSITION LEVER ASSEMBLY	_____	PAGE 4
PUSH TUBE ASSEMBLT	_____	PAGE 6
PLOW/HINGE PUSH TUBE ASSEMBLY	_____	PAGE 8
SWIVEL MOUNT ASSEMBLY	_____	PAGE 10
SWIVEL MOUNT INSTALLATION	_____	PAGE 12
ACTUATOR INSTALLATION	_____	PAGE 13
ELECTRICAL COMPONENT INSTALLATION	_____	PAGE 15

PLOW ASSEMBLY

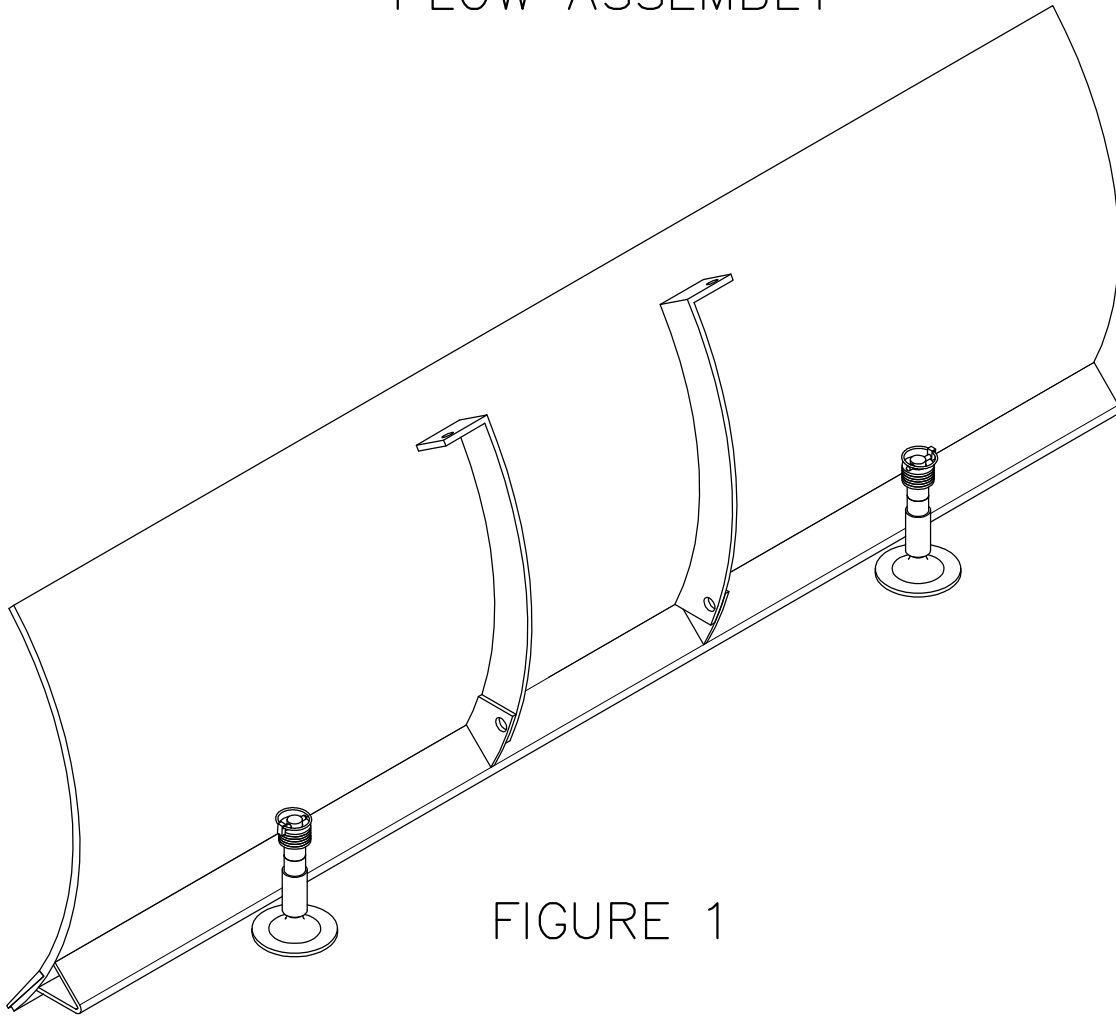


FIGURE 1

PLOW ASSEMBLY PER FIGURE 1 AND FIGURE 2
PARTS REQUIRED PER THE BILL OF MATERIALS BELOW

ITEM NO.	QTY.	PART NO.	DESCRIPTION
1	1	CYC3111	48" PLOW
2	1	CYC0004	DOUBLE SIDED WEAR BAR
3	2	PUR1467	SKID
4	4	PUR0400	SKID SPACER
5	12	-	FLAT WASHER 5/8" SAE
6	2	PUR1359	QUICK PIN 3/16" x 1.5"
7	7	-	CARRIAGE BOLT 5/16" x 1"
8	7	-	NYLOCK NUT 5/16"

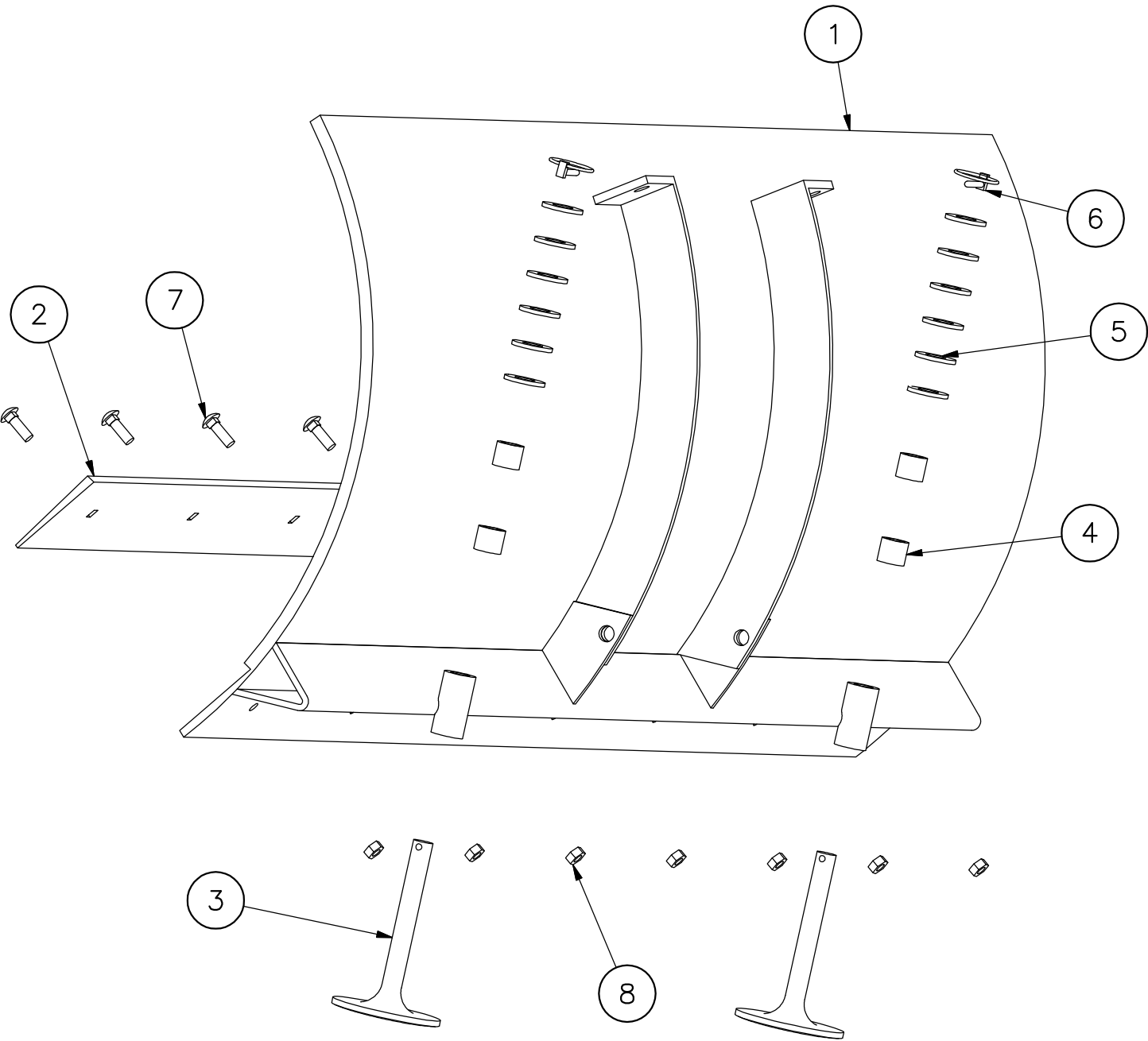


FIGURE 2

HINGE AND BLADE POSITION LEVER ASSEMBLY

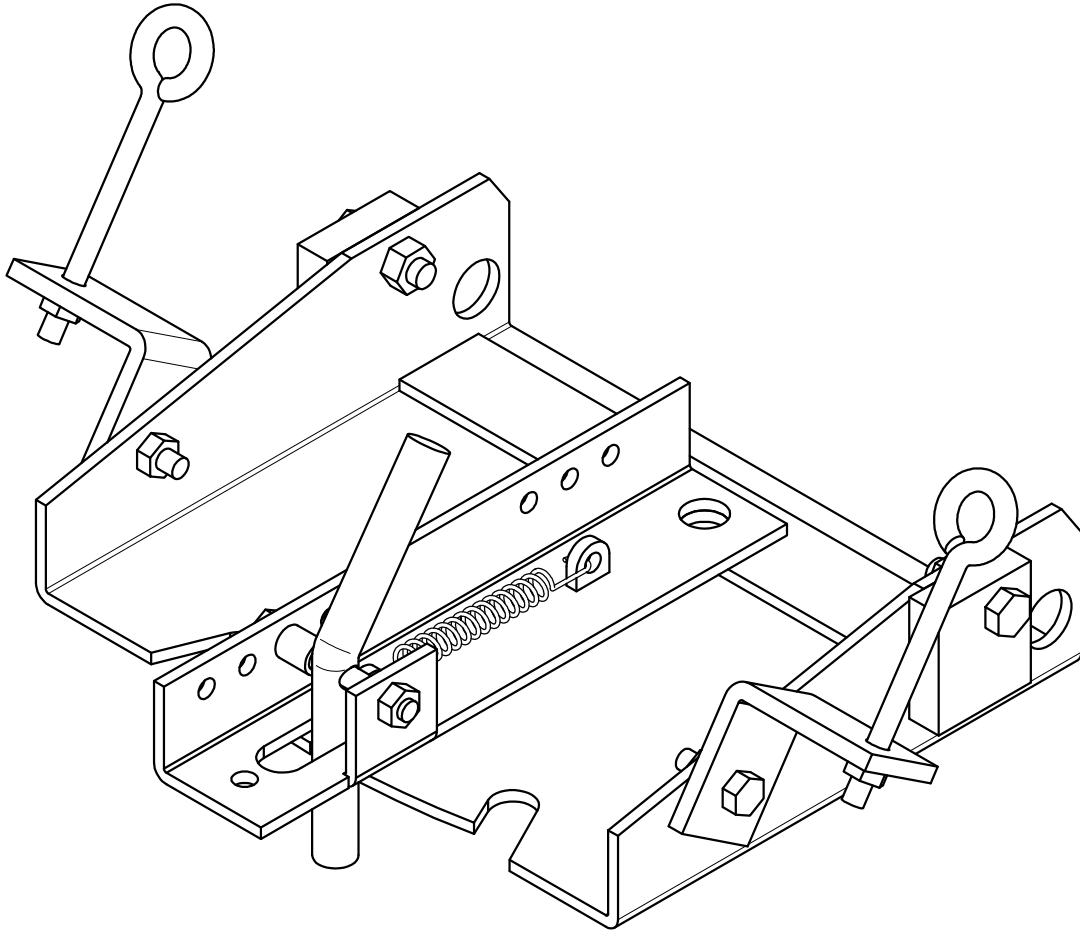
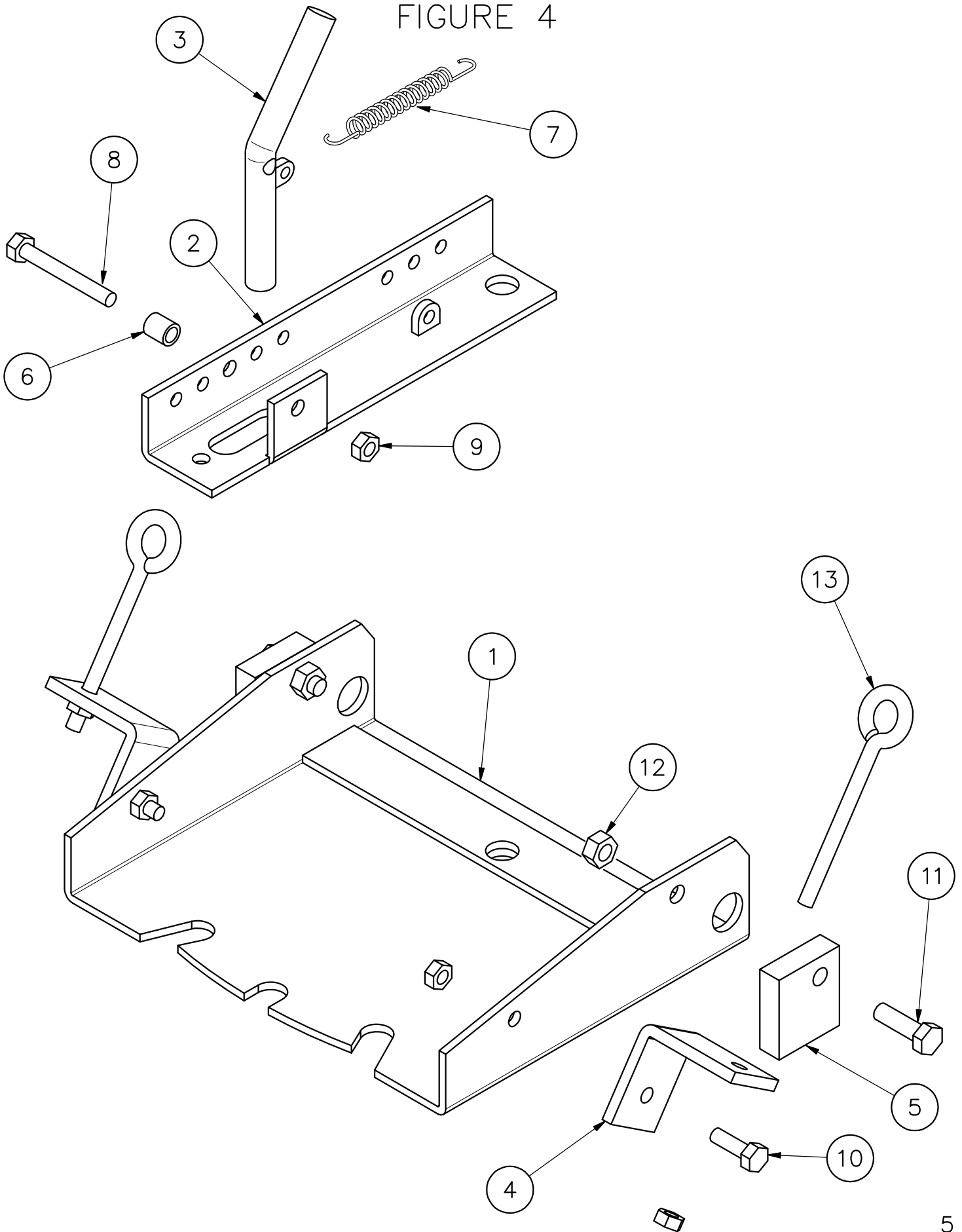


FIGURE 3

HINGE AND BLADE POSITION LEVER ASSEMBLY PER FIGURE 3 AND FIGURE 4
PARTS REQUIRED PER THE BILL OF MATERIALS BELOW

ITEM NO.	QTY.	PART NO.	DESCRIPTION
1	1	CYC2389	HINGE
2	1	CYC0345	BLADE POSITION LEVER BRACKET
3	2	CYC2259	BLADE POSITION LEVER
4	2	CYC0812	BLADE SPRING BRACKET
5	2	CYC0813	BLADE STOP
6	2	PUR1361	BUSHING
7	1	PUR1437	BLADE LEVER SPRING
8		-	BOLT 5/16" x 2.25"
9	5	-	NYLOCK NUT 5/16"
10	2	-	BOLT 5/16" x 1.00"
11	2	-	BOLT 3/8" x 1.25"
12	2	-	NYLOCK NUT 3/8"
13	2	-	EYE BOLT 5/16" x 4.25

FIGURE 4



PUSH TUBE ASSEMBLY

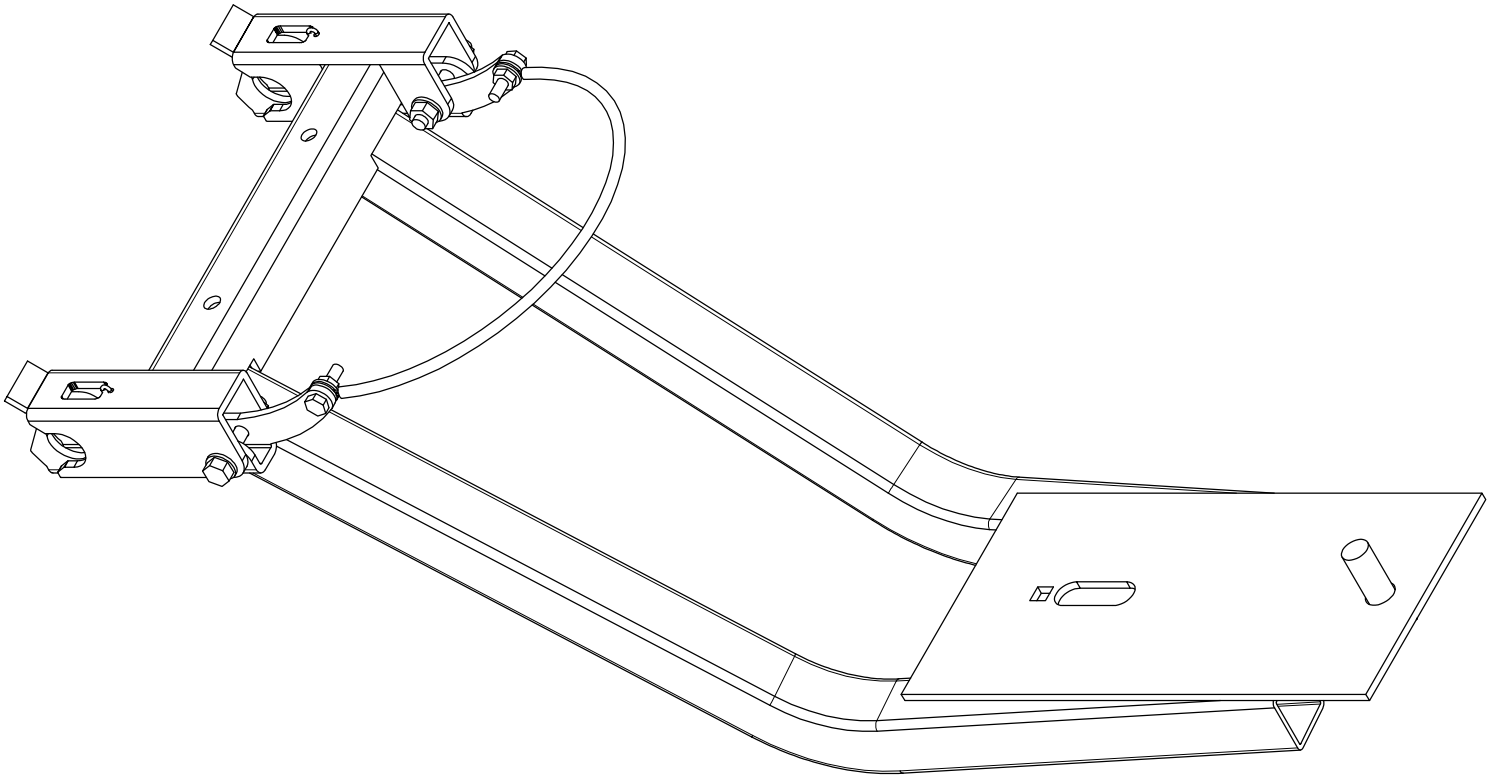
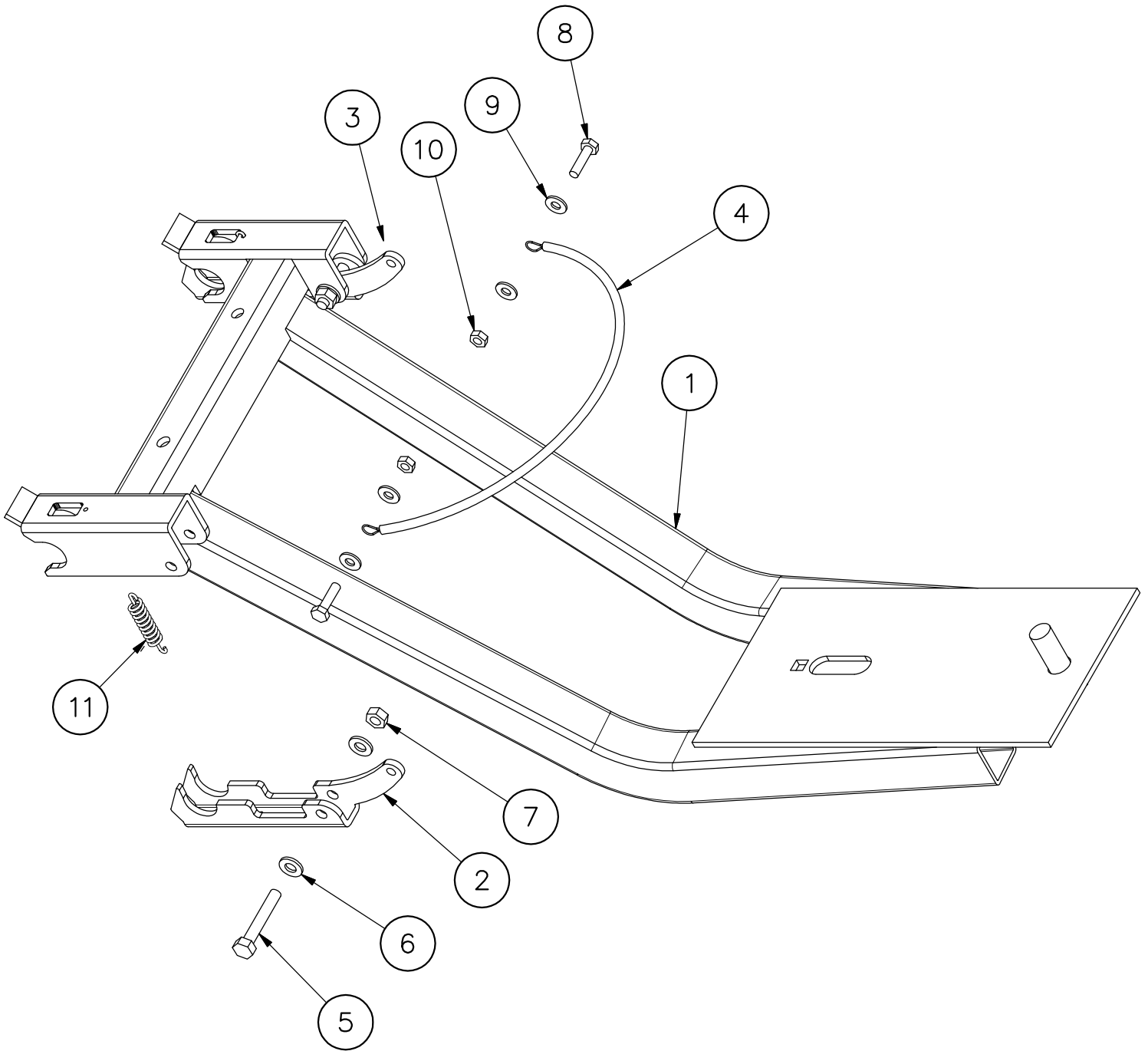


FIGURE 5

PUSH TUBE ASSEMBLY PER FIGURE 5 AND FIGURE 6
PARTS REQUIRED PER THE BILL OF MATERIALS BELOW

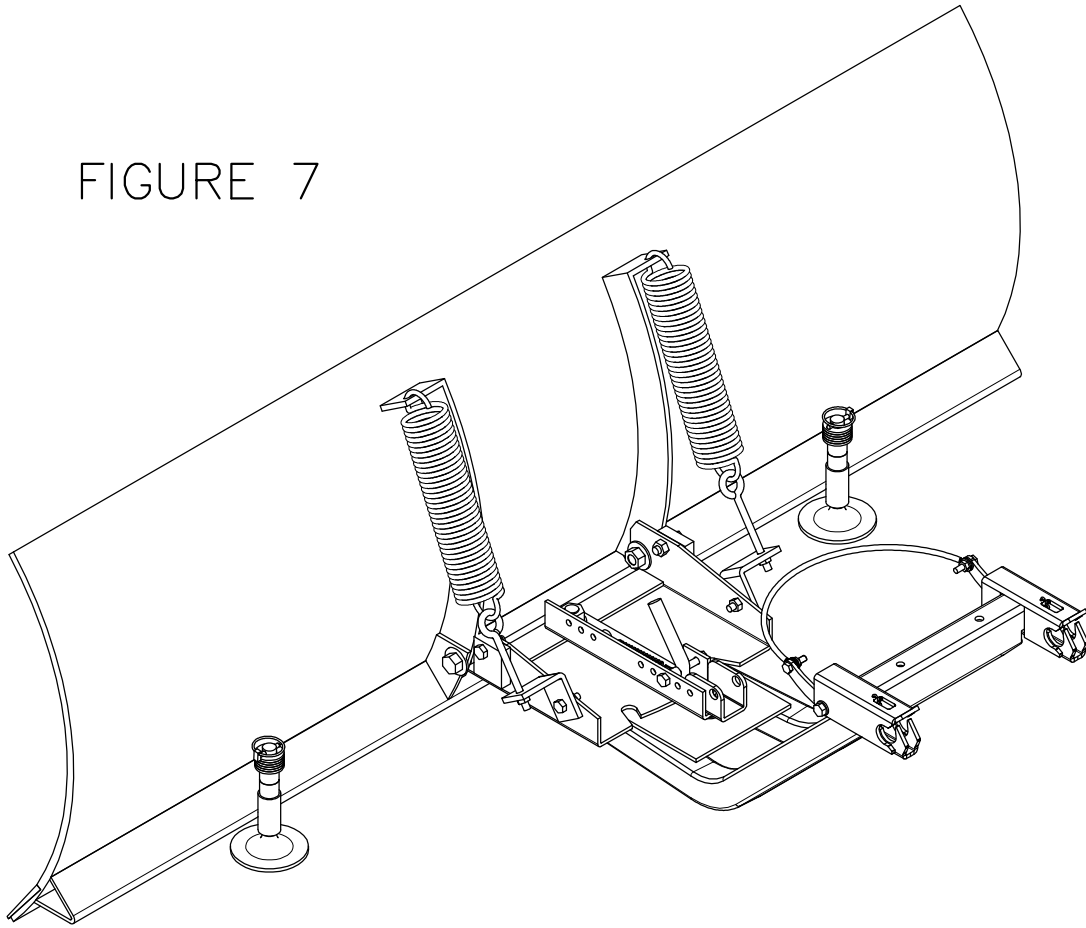
ITEM NO.	QTY.	PART NO.	DESCRIPTION
1	1	ZTRW0001	PUSH TUBE
2	1	ZTRP0001	RIGHT LOWER QUICK CONNECT
3	1	ZTRP0001A	LEFT LOWER QUICK CONNECT
4	1	ZTRP0024	QUICK RELEASE CABLE
5	2	-	BOLT 5/16" x 2.00"
6	4	-	FLAT WASHER 5/16" SAE
7	2	-	NYLOCK NUT 5/16"
8	2	-	BOLT 1/4" x 1.00"
9	4	-	FLAT WASHER 1/4" SAE
10	2	-	NYLOCK NUT 1/4"
11	2	ZTRPUR001	QUICK RELEASE SPRING

FIGURE 6



PLOW / HINGE / PUSH TUBE ASSEMBLY

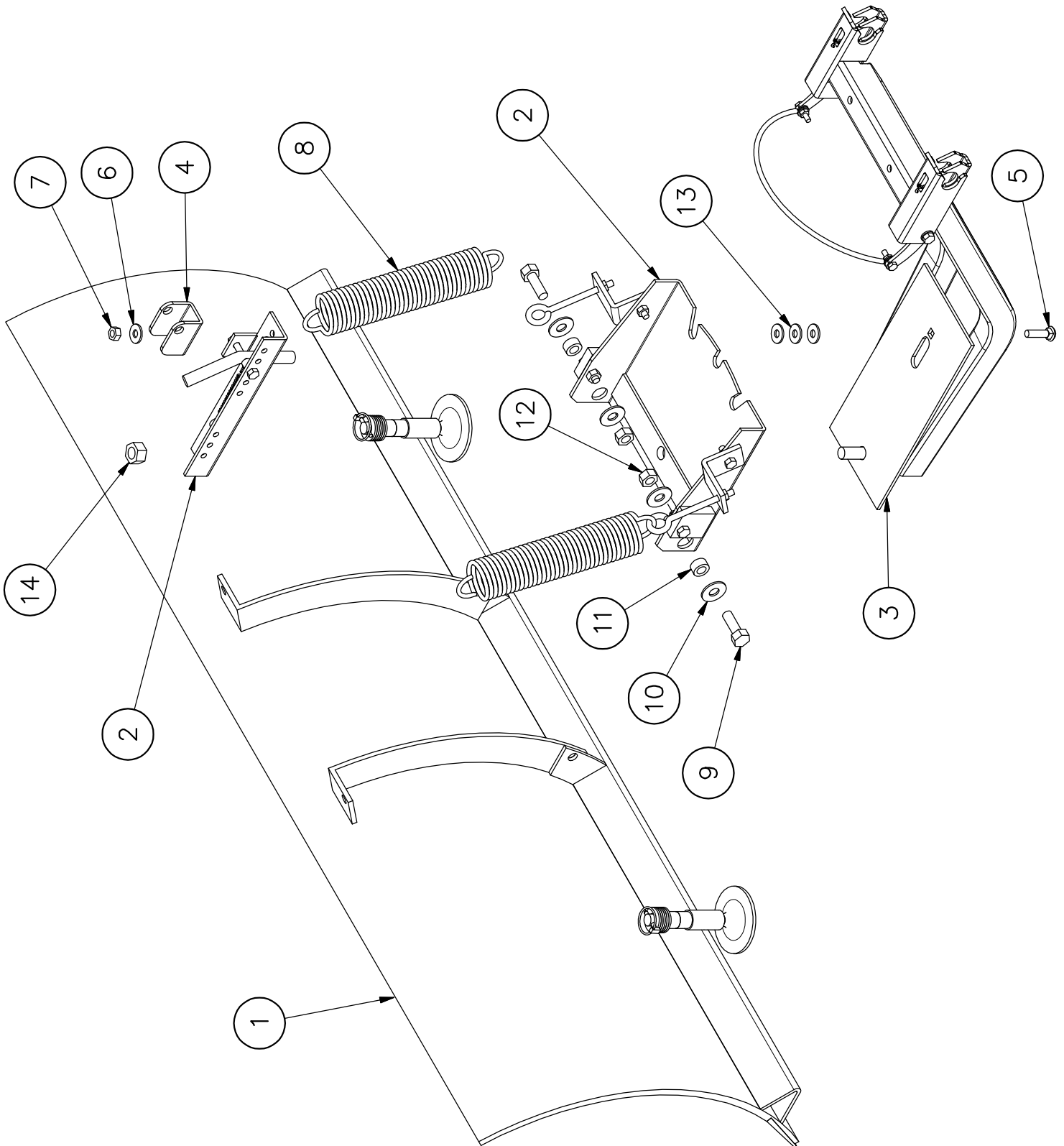
FIGURE 7

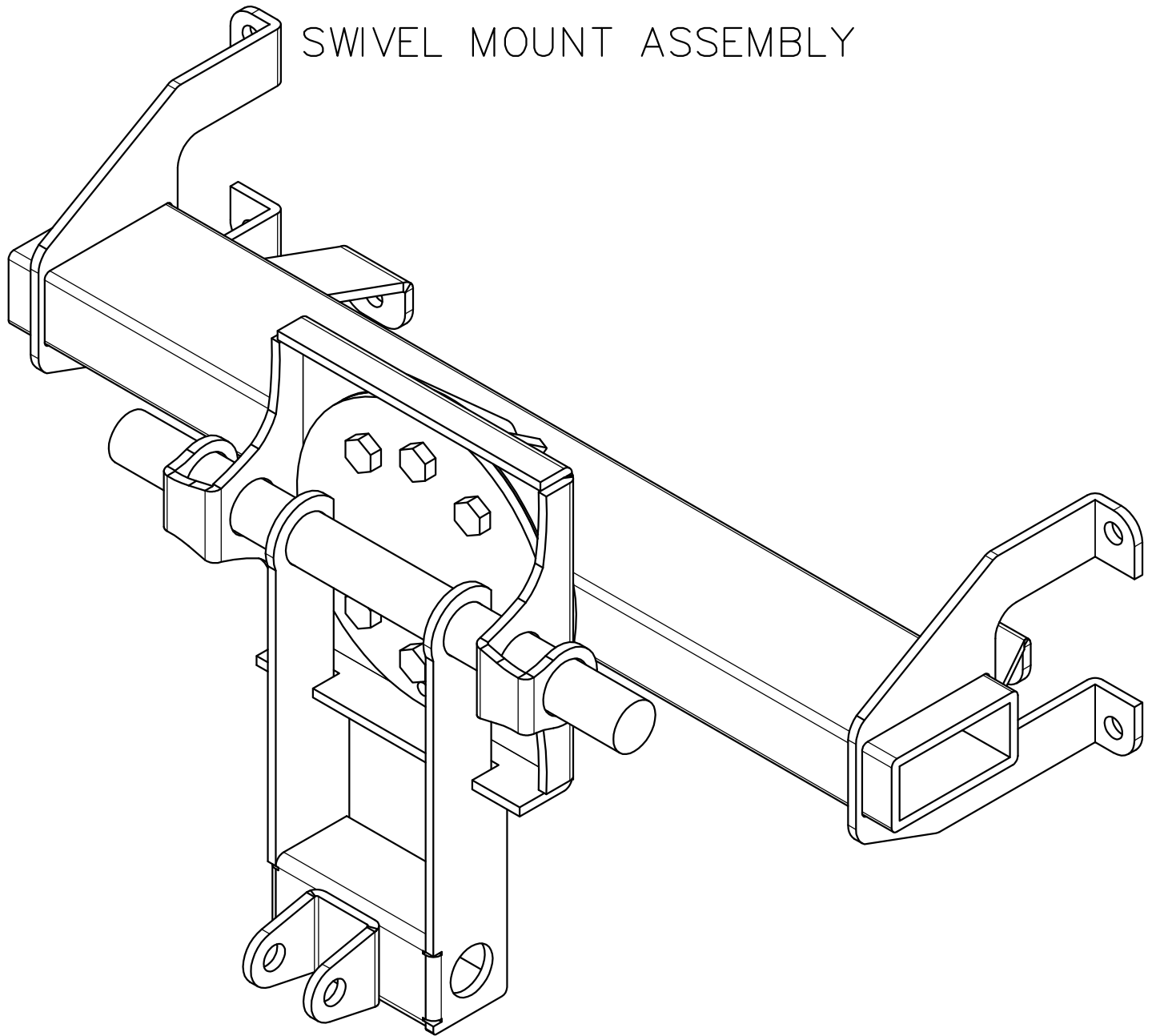


PLOW / HINGE / PUSH TUBE ASSEMBLY PER FIGURE 7 AND FIGURE 8
PARTS REQUIRED PER THE BILL OF MATERIALS BELOW

ITEM NO.	QTY.	PART NO.	DESCRIPTION
1	1	-	PLOW ASSEMBLY
2	1	-	HINGE AND BLADE LEVER ASSEMBLY
3	1	-	PUSH TUBE ASSEMBLY
4	1	ZTRP0005	LOWER ACTUATOR BRACKET
5	1	-	CARRAGE BOLT 3/8" x 1.50"
6	1	-	FLAT WASHER 3/8" SAE
7	1	-	NYLOCK NUT 3/8"
8	2	PUR1409	BLADE SPRING
9	2	-	BOLT 1/2" x 1.5"
10	4	-	FLAT WASHER 1/2" SAE
11	2	-	BUSHING 7/8" O.D. STL.
12	2	-	NYLOCK NUT 1/2" YELLOW
13	3	-	FLAT WASHER 3/8" SAE
14	1	-	NYLOCK NUT 5/8"

FIGURE 8





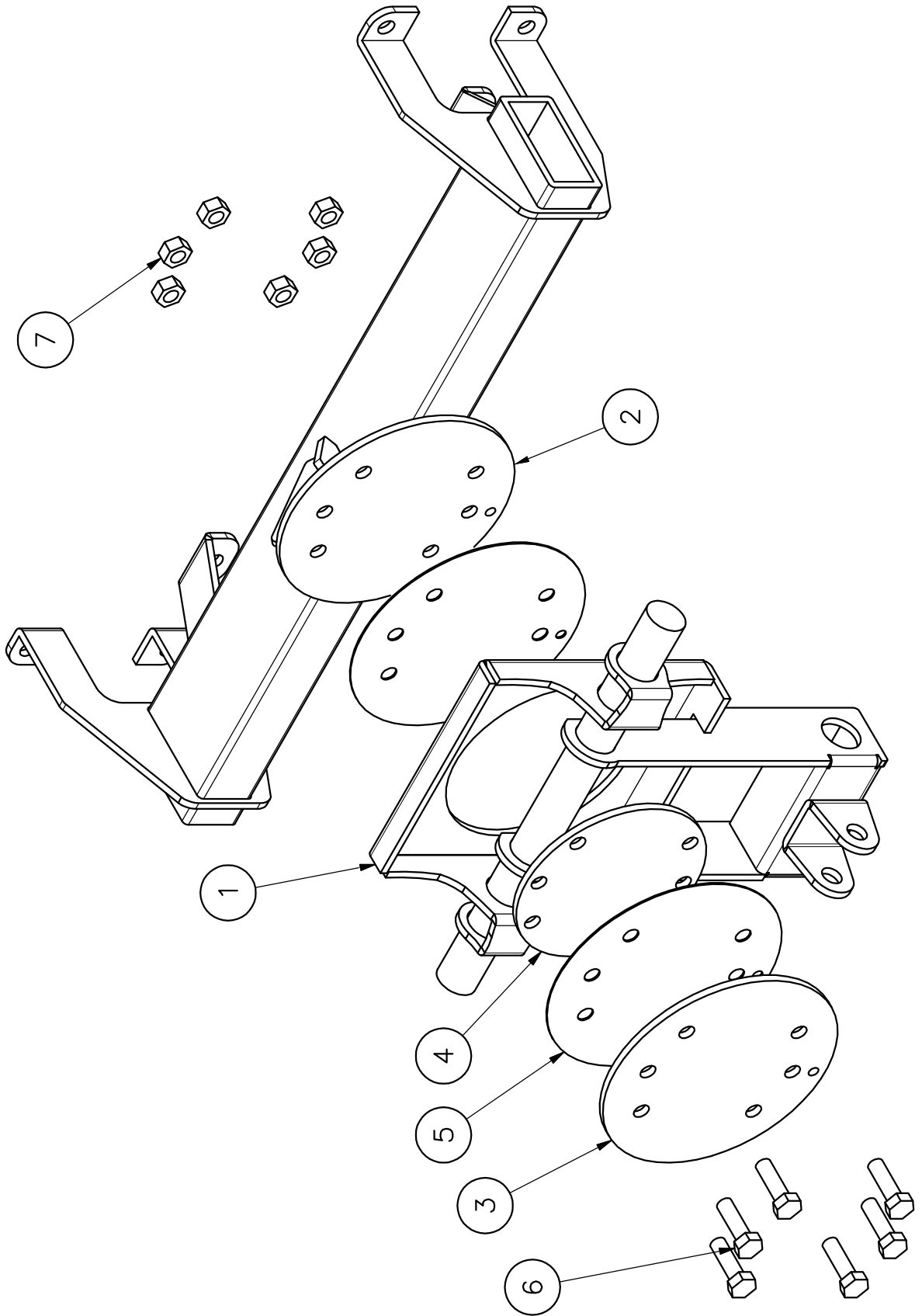
SWIVEL MOUNT ASSEMBLY

FIGURE 9

SWIVEL MOUNT ASSEMBLY PER FIGURE 9 AND FIGURE 10
PARTS REQUIRED PER THE BILL OF MATERIALS BELOW

ITEM NO.	QTY.	PART NO.	DESCRIPTION
1	1	ZTRW0002	SWIVEL MOUNT
2	1	ZTRW0010	TELESCOPING MOUNT
3	1	ZTRP0016	6" FRONT HOLD PLATE
4	1	ZTRP0015	4" CENTER PIVOT DISC
5	2	ZTRP0022	TEFLON WASHER
6	6	-	BOLT 3/8" x 1.25"
7	6	-	NYLOCK NUT 3/8"

FIGURE 10



SWIVEL MOUNT INSTALLATION

- AS SHOWN IN FIGURE 11, LIFT AND SUPPORT THE FRONT OF THE MOWER
- REMOVE (6) BOLTS THAT SECURE THE FRONT WHEEL ASSEMBLY

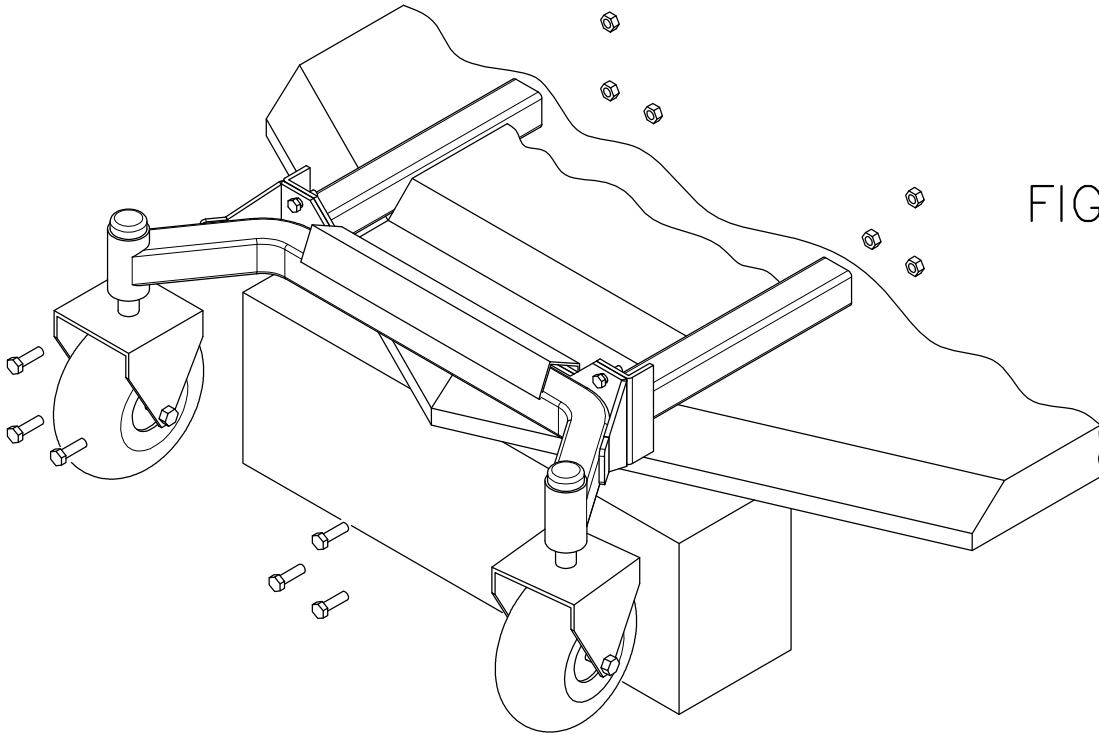


FIGURE 11

- AS SHOWN IN FIGURE 12, ATTACH SWIVEL MOUNT, SECURING WITH THE (6) BOLTS REMOVED IN THE PREVIOUS STEP.
- REMOVE BLOCKS THAT SUPPORT THE FRONT OF THE MOWER

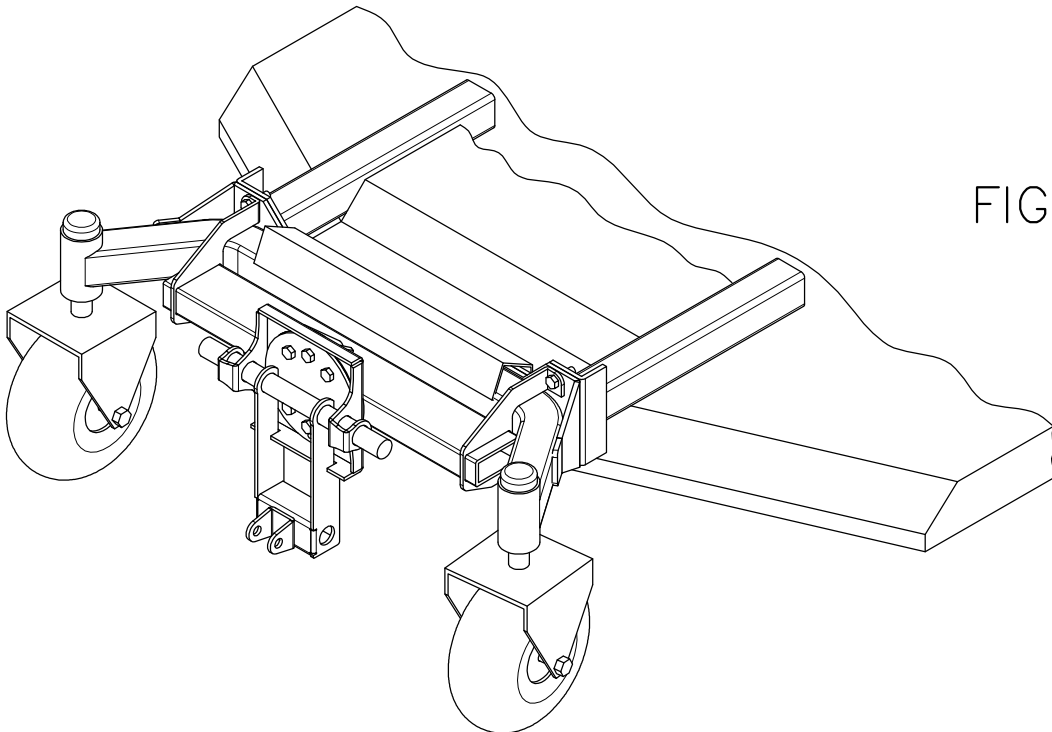
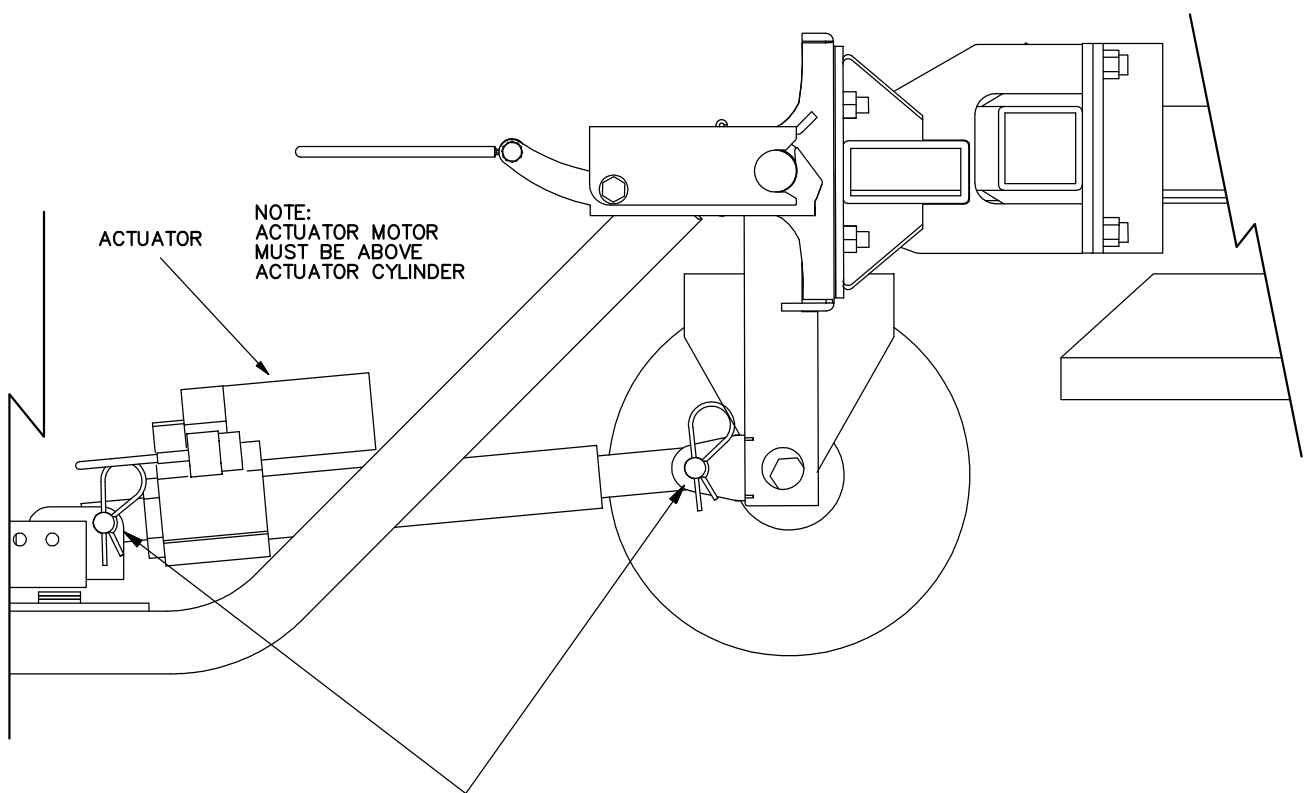
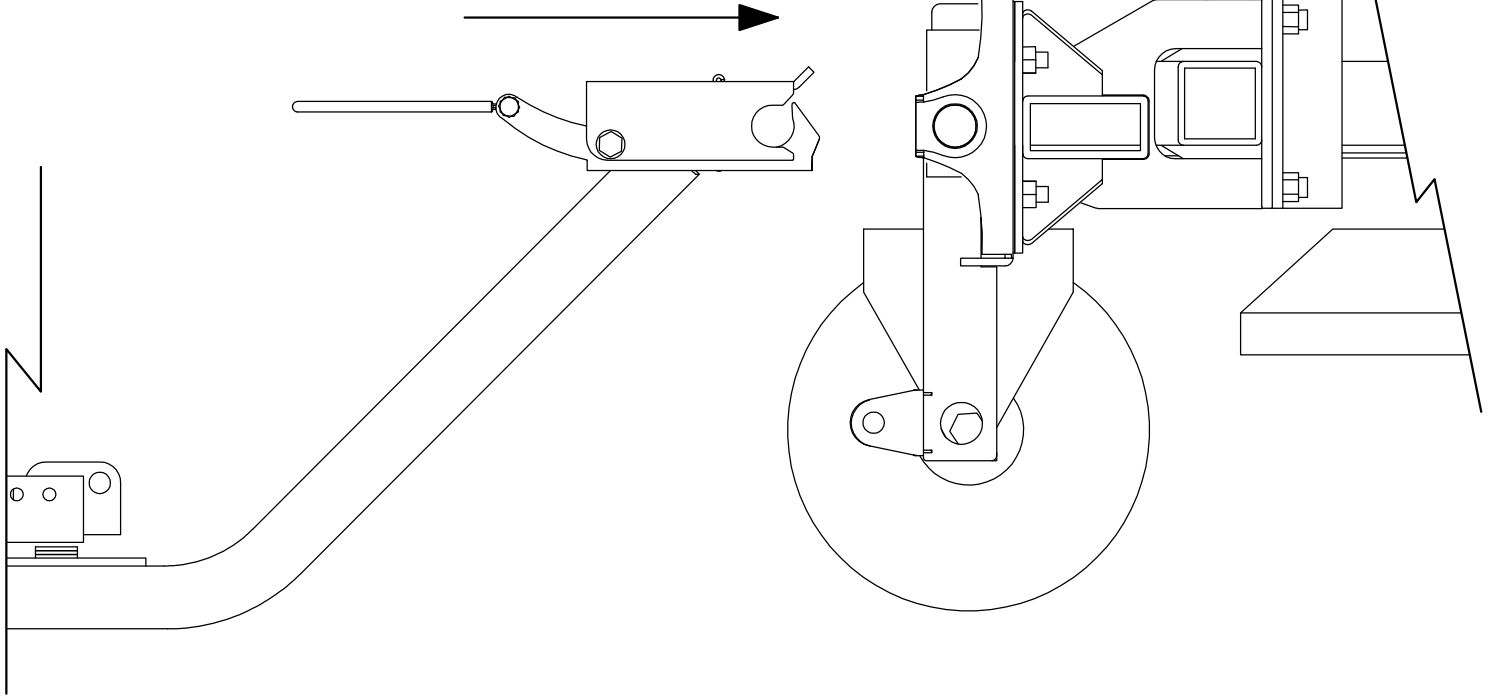


FIGURE 12

ACTUATOR INSTALLATION

ENGAGE PLOW/HINGE/TUBE ASSEMBLY WITH SWIVEL MOUNT

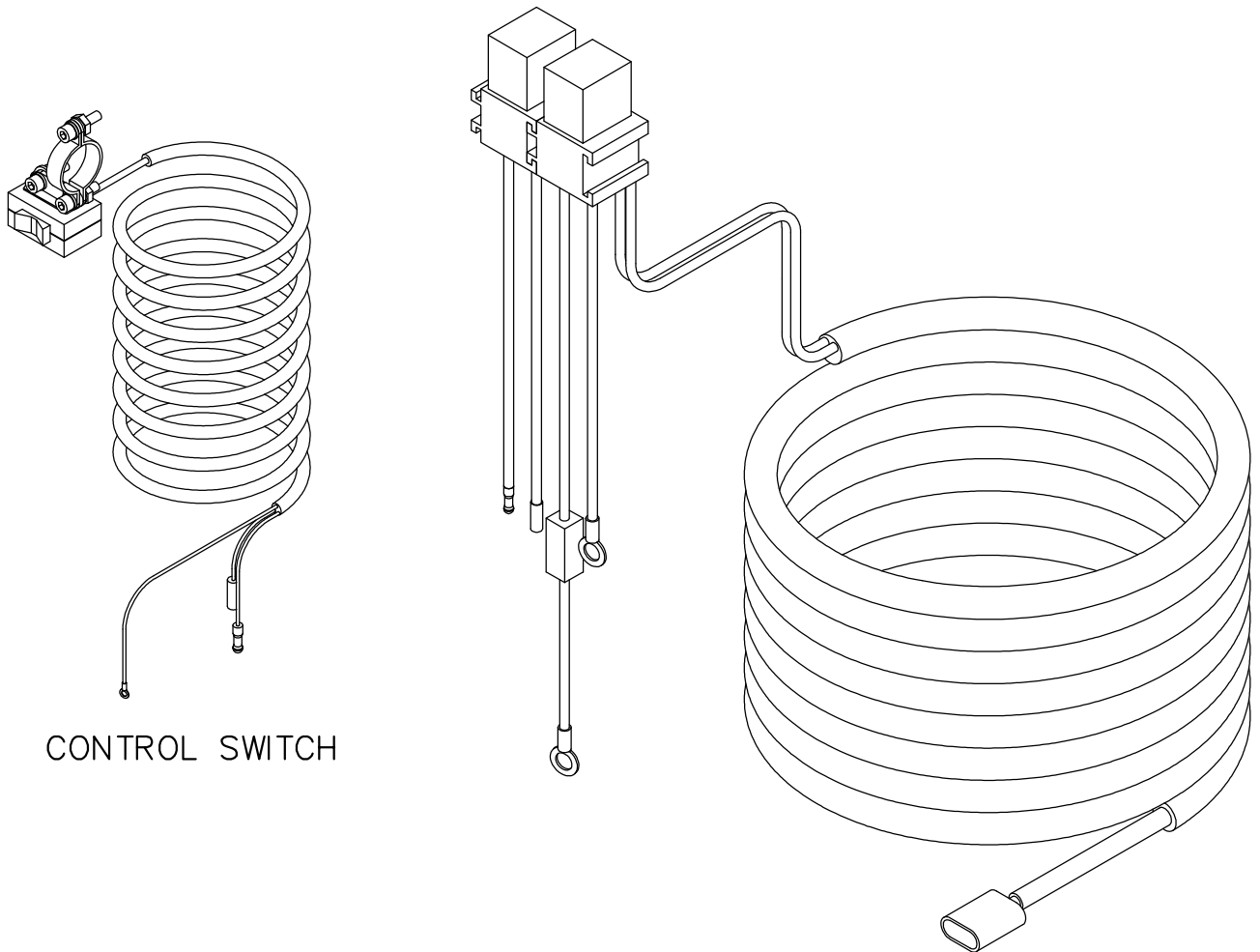


ACTUATOR

NOTE:
ACTUATOR MOTOR
MUST BE ABOVE
ACTUATOR CYLINDER

1/2" x 2.00" CLEVIS PIN WITH COTTER PIN (2)

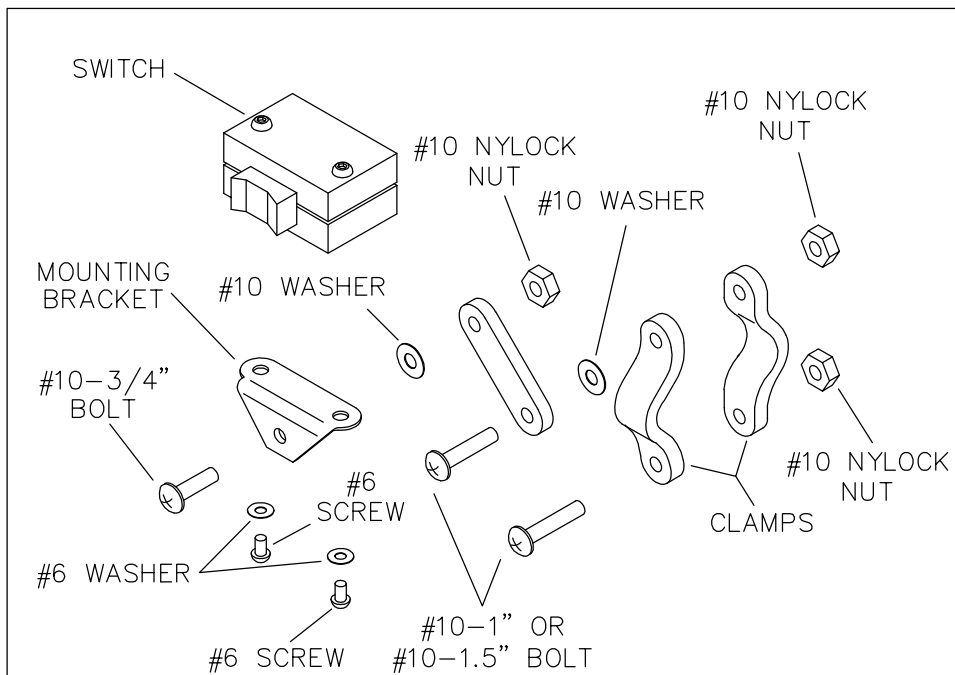
ELECTRICAL COMPONENT INSTALLATION



CONTROL SWITCH

RELAY/ACTUATOR WIRING HARNESS

CONTROL SWITCH BRACKET ASSEMBLY

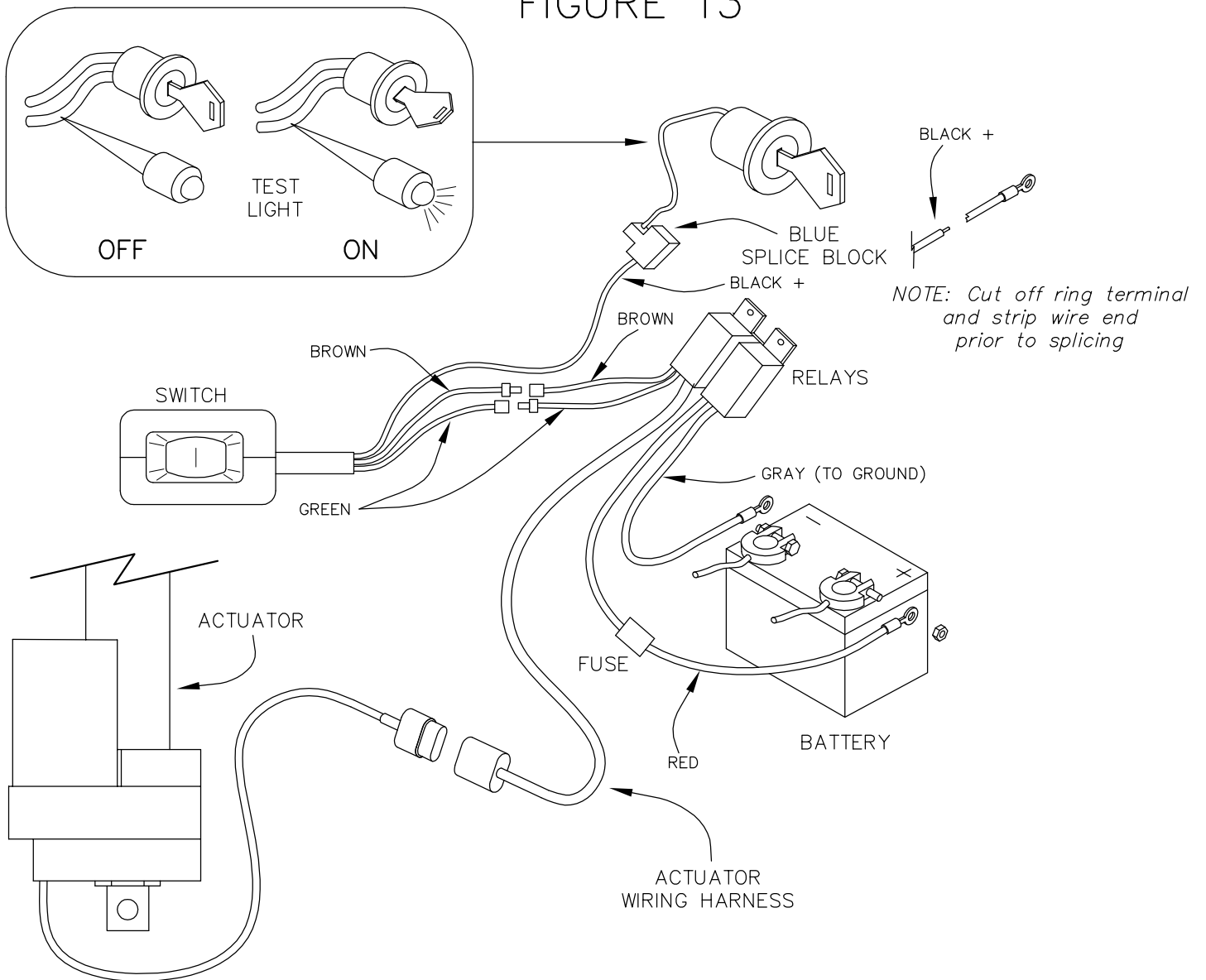


ELECTRICAL COMPONENT INSTALLATION PER FIGURE 13 AND FIGURE 14

NOTE:

1. SECURE RELAYS IN A DRY LOCATION
2. KEEP ALL WIRING CLEAR OF ROTATING OR MOVING PARTS
3. DO NOT ROUTE ANY WIRES NEAR EXHAUST COMPONENTS

FIGURE 13



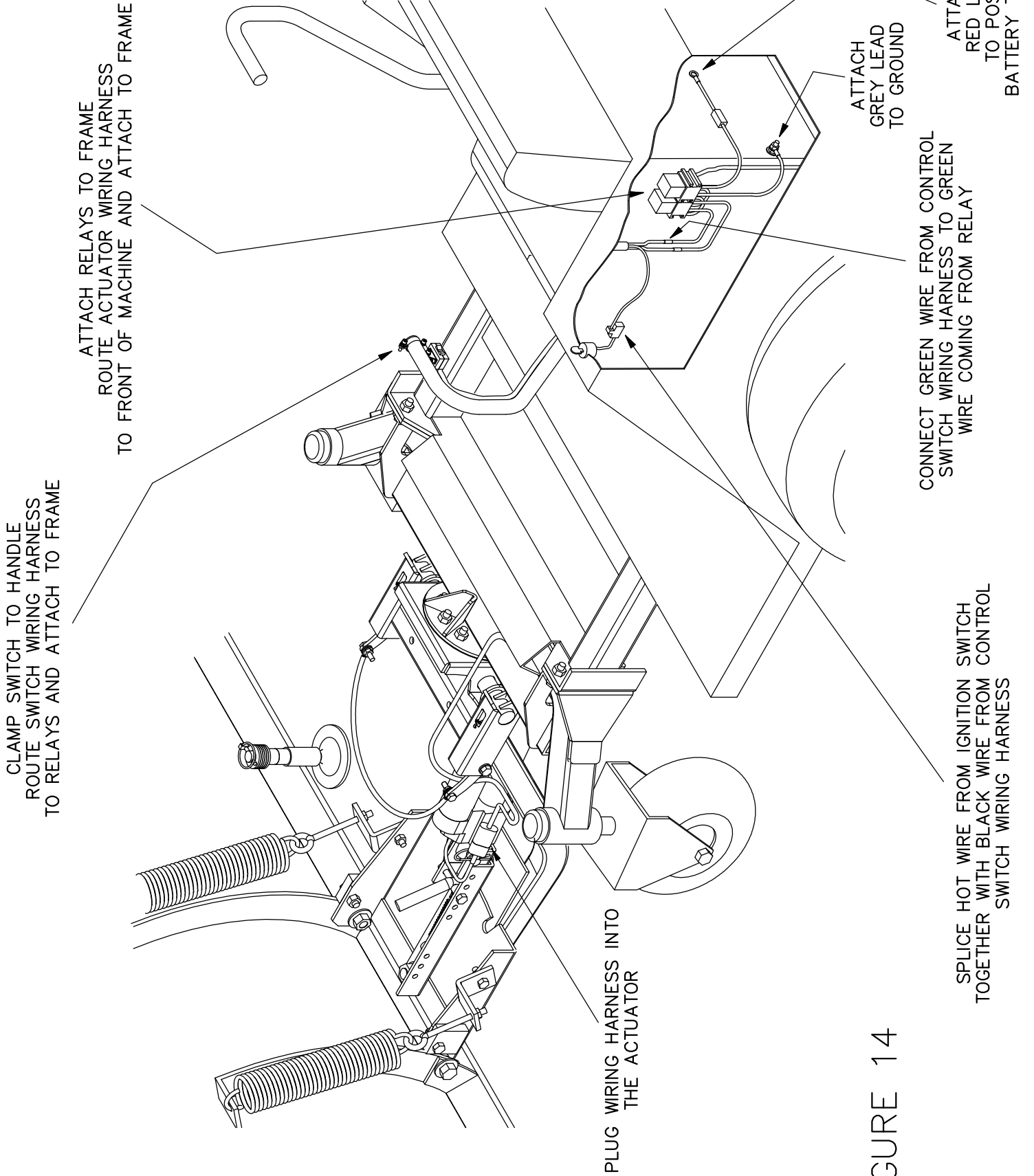


FIGURE 14