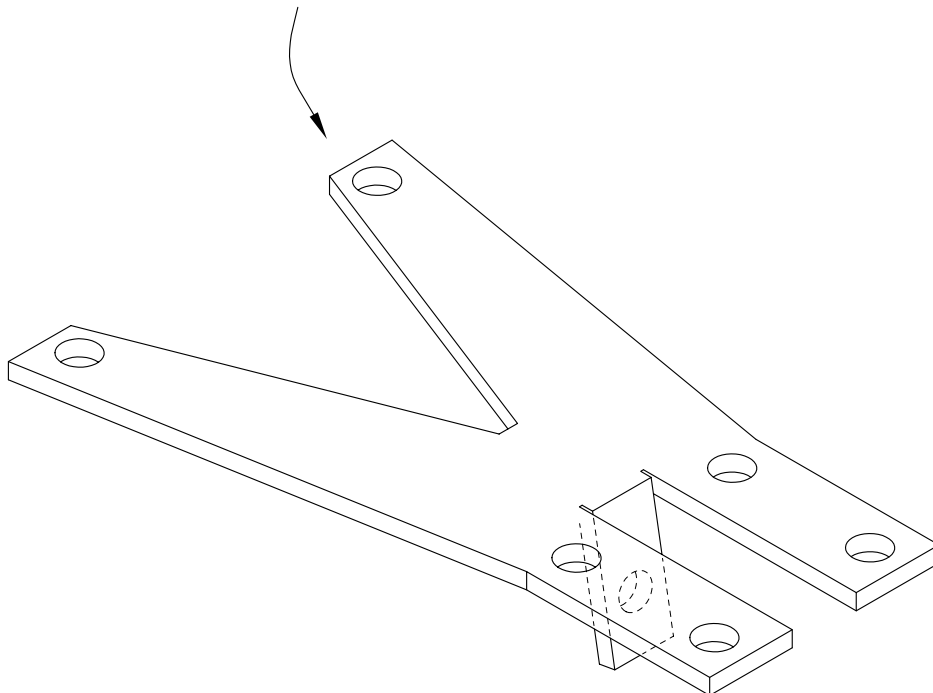


## Addendum 2: Actuator Support Installation on a WARN PLOW

### Adapter Plate: Part Number 1033

1. Disconnect the plow from the ATV at the push tube assembly, per the manufacture's instructions.
2. Tip plow to gain access to the underside of the plow angle adjustment assembly.
3. Remove the (2) 5/16–24x1.5" bolts at the ATV end of the blade positioning lever and discard.
4. Remove the (4) 3/8–16x1.5" bolts on the actuator support angles.
5. Secure the assembled actuator support to the adaptor plate using (4) 3/8–16x1.5" bolts just removed and (4) 3/8–16 Nylock nuts.  
*Note: Bolts must be installed thru the underside of the adaptor plate and nuts on the top of the actuator support angles.*  
*Note: Ensure the (4) jam nuts are in place on the top side of the adapter plate creating a 3/16" gap between the actuator support and the adapter plate.*
6. Secure the assembled actuator support / adaptor plate to the plow angle adjustment assembly using (2) 5/16–24x1.75" bolts, (2) 5/16–24 flanged Nylock nuts, (1) 3/8–16x1.5" bolt, and (1) 3/8–16 flanged Nylock nut.
7. Reconnect the plow to the ATV and install the actuator as discribed in step "C" of the instructions.

### Adapter Plate Part Number 1033



Adapter Plate: Part Number 1031

3/8-16  
NYLOCK NUTS

ACTUATOR SUPPORT

3/8-16 JAM NUTS

5/16-24x1.75"  
HEX. HD. BOLT

3/8" WASHER

5/16" WASHER

3/8-16x1.5"  
HEX. HD. BOLT

5/16-18x1.75"  
HEX. HD. BOLT

5/16" WASHER

ADAPTER PLATE  
PART NUMBER 1031

3/8-16x1.5"  
HEX. HD. BOLTS

3/8-16 FLANGED  
NYLOCK NUT

PLOW ANGLE ADJUSTMENT ASSEMBLY

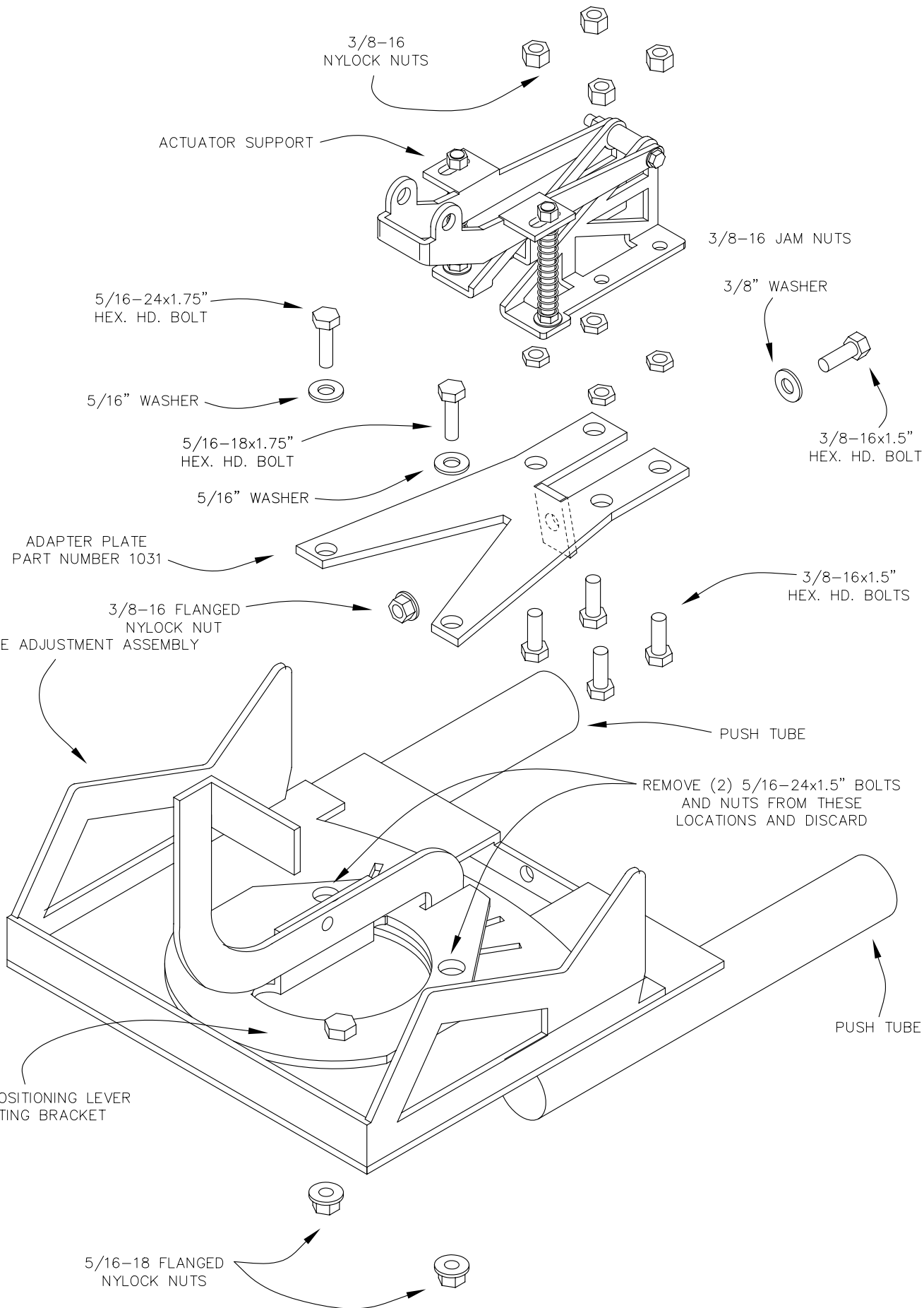
PUSH TUBE

REMOVE (2) 5/16-24x1.5" BOLTS  
AND NUTS FROM THESE  
LOCATIONS AND DISCARD

PUSH TUBE

BLADE POSITIONING LEVER  
MOUNTING BRACKET

5/16-18 FLANGED  
NYLOCK NUTS



Adapter Plate: Part Number 1031

