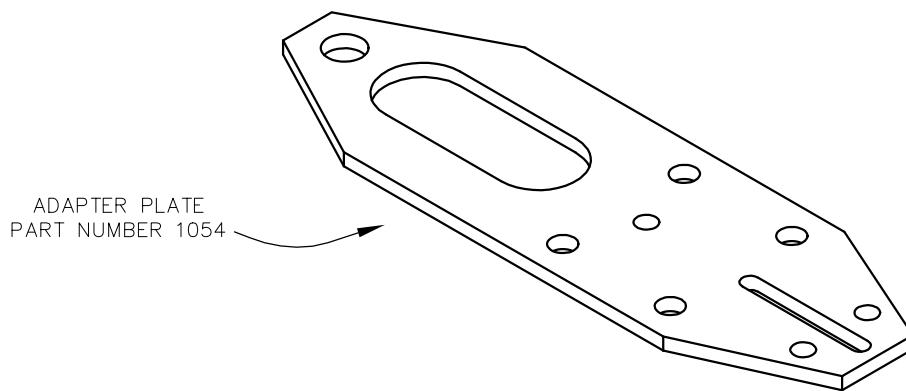


Addendum 8: Actuator Support Installation on a KIMPEX PLOW.

Adapter Plate: Part Number 1054



1. Disconnect the plow from the ATV at the push tube assembly, per the manufacture's instructions.
2. Disconnect the two cables from the quick disconnect handle.
3. Disconnect the end of the spring that is attached to the blade position lever on the underside of the pushtube assembly.
4. Remove M8x90mm hex bolt from the quick release handle/blade position lever. KEEP the nut and bolt. Discard the two 11mm spacers and the blade position lever.
5. Remove both M8x25mm bolts from that secures the blade position lever bracket and the rear lift bracket. Discard the lever, bracket, nuts and bolts.
6. Remove the M8 Nylock nut that secures the blade position lever return spring. KEEP the spring. Discard the nut.
7. Remove the M8x40mm bolt on the blade position lever bracket. KEEP the 14mm spacer. Discard the, bolt, nut, and blade position lever bracket.
8. Remove the M16x50mm pivot bolt. KEEP the nut and bolt. Discard the lift bracket.
9. Remove (4) 3/8–16x1.5" bolts and jam nuts previously installed on the lower actuator support in section A, step 8 of the installation instructions.

10. As shown on page 5, install (4) 3/8–16x1.5” bolts through the adapter plate and secure them with (4) 3/8” jam nuts. Also install a 5/16–18x2” fully threaded bolt thru the top of the adapter plate, securing it with a 5/16” nut.
11. Place a M16 washer over the hole that the pivot bolt was removed.
12. As shown on page 5, install the 14mm spacer removed in step 7 on the 5/16–18x2” fully threaded bolt.
13. Place (2) 5/16” dia. x 0.5” tall plastic spacers over the holes that contained the M8x25mm bolts removed in step 5.
14. As shown on page 5, place the assembled adapter plate onto the plow angle adjustment plate so the holes are aligned with the spacers placed in steps 11 and 13.
15. Install the M16x50 pivot bolt and Nylock nut removed in step 8. Tighten snug enough to allow the blade to pivot freely.
16. Install (2) 5/16–24x1.75” bolts and Nylock nuts thru ATV end of adapter plate. Secure with (2) 5/16–24 Nylock nuts.
17. Install 5/16–18 Nylock nut on 5/16–18x1.75” fully threaded bolt.
18. As shown on page 6, install the previously assembled lower actuator support. secure with (4) 3/8” Nylock nuts.
19. Remove 5/16–24x2.5” bolt, spacers and washers previously installed in section A, step 2 of the instructions. KEEP (4) small washers. Discard bolt, nut, and spacers.
20. As shown on page 6, install 5/16” Nylock nut onto the 5/16–18x2” fully threaded bolt. Attach one end of the blade angle lever return spring onto the blade angle lever and attach the other end above the 5/16” Nylock nut. Tighten the Nylock nut, securing the spring.

