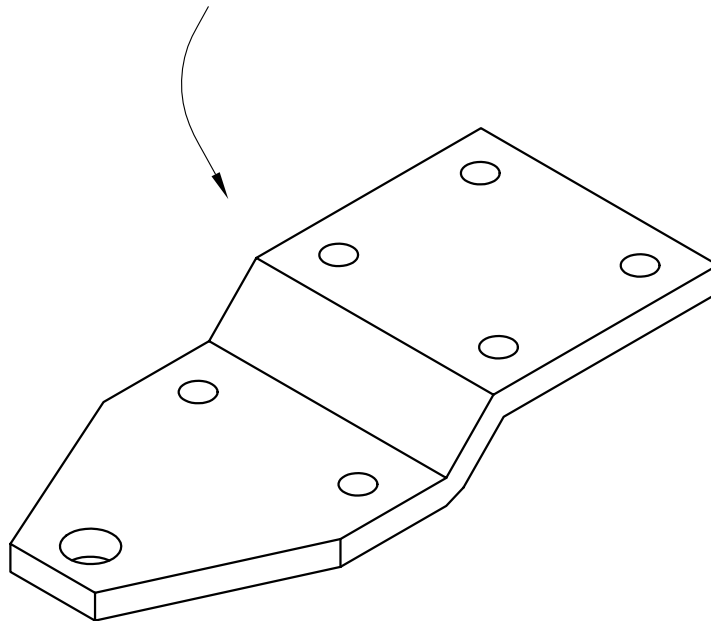


## Addendum 7: Actuator Support Installation on a GLACIER-II PLOW

### Adapter Plate: Part Number 1050

1. Disconnect the plow from the ATV at the push tube assembly, per the manufacture's instructions.
2. Tip plow to gain access to the underside of the plow angle adjustment assembly.
3. Remove and discard the lifting bar and the bolt and nut that secure it.
3. Remove and RETAIN 5/8" lock nut and washer from the 5/8"-11 stud.
4. Remove the (4) 3/8-16x1.5" bolts on the actuator support angles.
5. Attach the (4) 3/8-16x1.5" bolts just removed to the adapter plate using (4) 3/8-16 jam nuts just removed. *Note: Bolts must be installed thru the underside of the adaptor plate and jam nuts on the top of the adaptor plate.*
6. As shown on pages 3 and 4, secure the adaptor plate to the plow angle adjustment assembly using (2) 5/16-24x2" bolts, (2) 5/16-24 Nylock nuts, (1) 5/8" nut, (1) 5/8" washer, (2) 5/-16 I.D. x 0.5" tall spacers.
6. Secure the assembled actuator support to the adaptor plate using (4) 3/8-16 Nylock nuts.
7. Reconnect the plow to the ATV and install the actuator as discribed in step "C" of the instructions.

### Adapter Plate Part Number 1050



PLOW ANGLE ADJUSTMENT ASSEMBLY

REMOVE AND DISCARD  
LIFTING BAR AND THE  
BOLTS AND NUTS THAT SECURE IT

REMOVE AND RETAIN  
5/8"-11 NYLOCK NUT  
5/8" WASHER

3/8-16x1.5"  
HEX. HD. BOLTS

ADAPTER PLATE  
PART NUMBER 1050

3/8-16 JAM NUTS

