

OPERATING INSTRUCTIONS
READ BEFORE OPERATING

!!!! DANGER !!!!

Exercise EXTREME CAUTION when thatching and always at a slow speed.

!!!! WARNING !!!!

TO AVOID SERIOUS INJURY OR DEATH:

1. DO NOT EXCEED 5 MPH WITH THATCHER INSTALLED.
2. OPERATE WITH EXTREME CAUTION ON SLOPES, STEEP GRADES AND ROUGH TERRAIN.
3. KEEP AWAY FROM TINES AND MOVING PARTS DURING OPERATION.
4. NEVER OPERATE WITH TINE BARS ROTATED TOWARDS THE FRONT.

!!! CAUTION !!!

TO AVOID PERSONAL OR OTHER INJURY:

1. READ OWNER'S MANUAL, ZTR MOWER OPERATOR'S MANUAL, AND SAFETY DECALS BEFORE OPERATING.
2. WEAR HEAD PROTECTION, SAFETY GLASSES, AND SHOES AS RECOMMENDED IN ZTR MOWER OPERATOR'S MANUAL.
3. ALLOW NO RIDERS ON THATCHER OR ZTR MOWER WHILE MOVING OR STATIONARY.
4. KEEP BYSTANDERS AWAY FROM THATCHER OR ZTR MOWER WHILE MOVING OR STATIONARY.
5. WHEN THATCHER IS NOT IN USE, STOP ENGINE, SET AND LOCK BRAKES, AND LOWER THATCHER TO DOWN POSITION.

!!!! OPERATION !!!!

*** Your thatcher and hardware were designed with your safety in mind. In order to protect you and your ZTR mower, certain parts of the blade and/ or hardware are designed to fail when the equipment is over stressed. For this reason Deck, Quick Release, and Tines are not covered by warranty.

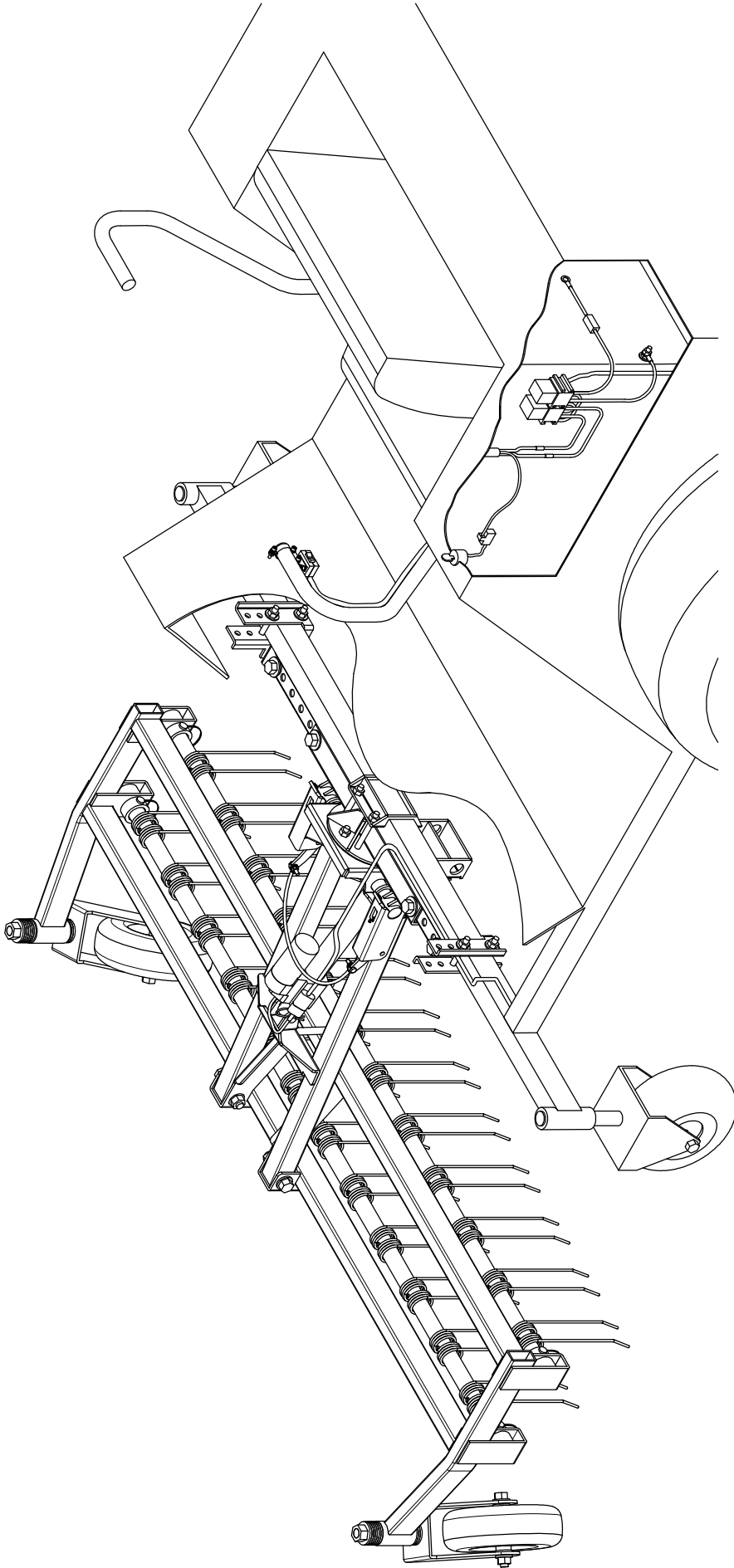
** Thatcher height is adjustable. SEE PAGE 23 OF THE OWNER'S MANUAL

* The thatcher is raised or lowered using the control switch.

*Do not exceed 5 MPH with thatcher installed.

*Operate with extreme caution on slopes, steep grades and rough terrain.

*Keep away from thatcher and moving parts during operation.



DECK ASSEMBLY	PAGE 2
QUICK RELEASE ASSEMBLY	PAGE 4
TINE ASSEMBLY	PAGE 6
TELESCOPIC SWIVEL MOUNT ASSEMBLY	PAGE 8
TELESCOPING ARMS AND HANGER ASSEMBLY	PAGE 10
SINGLE POINT SWIVEL MOUNT ASSEMBLY	PAGE 12
ACTUATOR INSTALLATION	PAGE 17
ELECTRICAL COMPONENT INSTALLATION	PAGE 21
SETTING THATCHER HEIGHT	PAGE 23
DISENGAGING TINES	PAGE 23

DECK ASSEMBLY

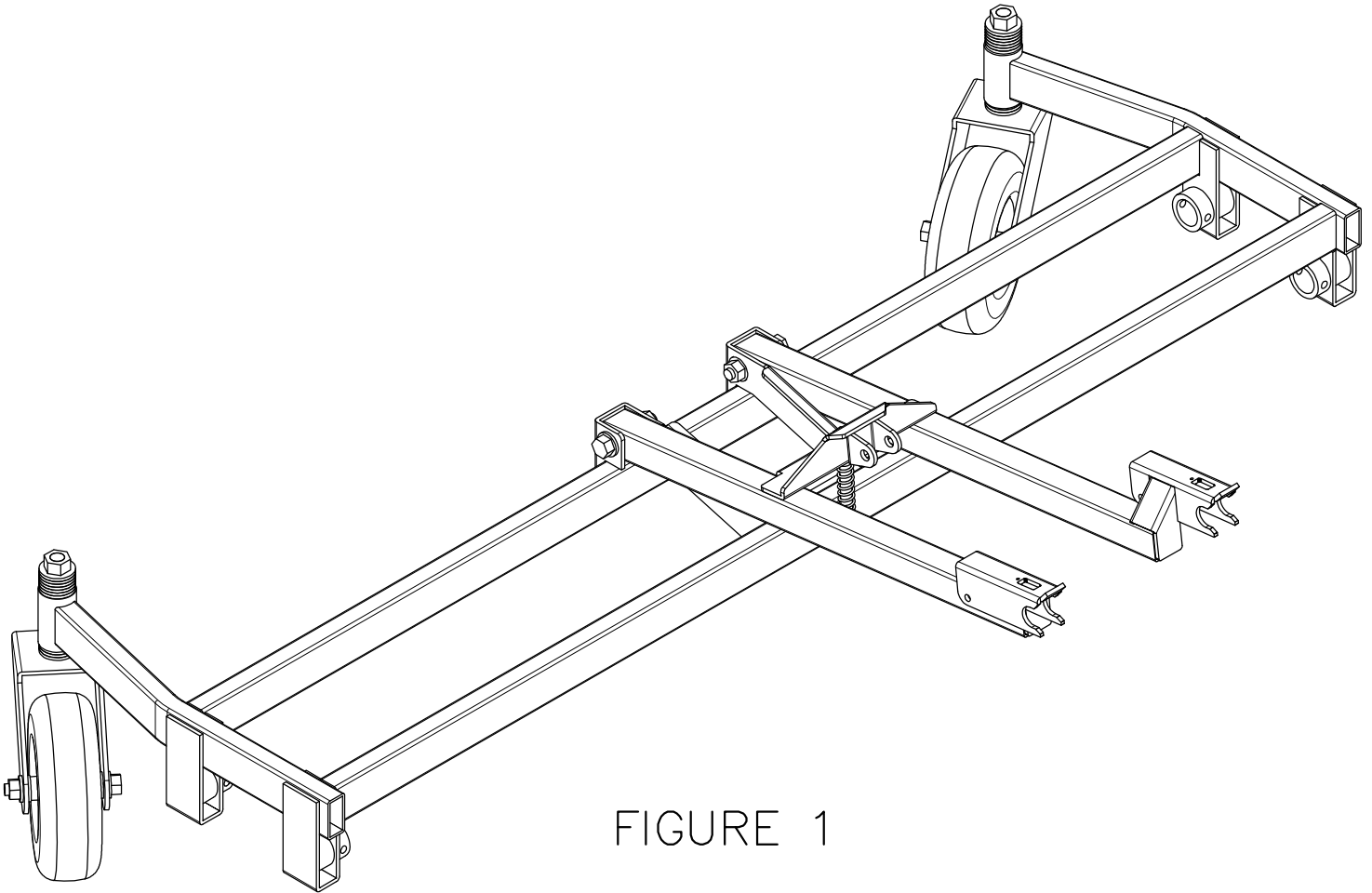


FIGURE 1

DECK ASSEMBLY PER FIGURE 1 AND FIGURE 2
PARTS REQUIRED PER THE BILL OF MATERIALS BELOW

ITEM NO.	QTY.	PART NO.	DESCRIPTION
1	1	ZTRW0007	BASE
2	1	ZTRW0006	PUSH BAR
3	2	ZTRW0008	WHEEL BRACKET
4	1	-	COMPRESSION SPRING
5	4	-	BEARING
6	1	-	BOLT 1/2" x 4.50"
7	2	-	BOLT 1/2" x 2.75"
8	2	-	BOLT 1/2" x 4.25"
9	5	-	NYLOCK NUT 1/2"
10	13	-	FLAT WASHER 1/2" SAE
11	2	-	NYLOCK NUT 5/8"
12	14	-	FLAT WASHER 5/8" SAE
13	2	-	WHEEL

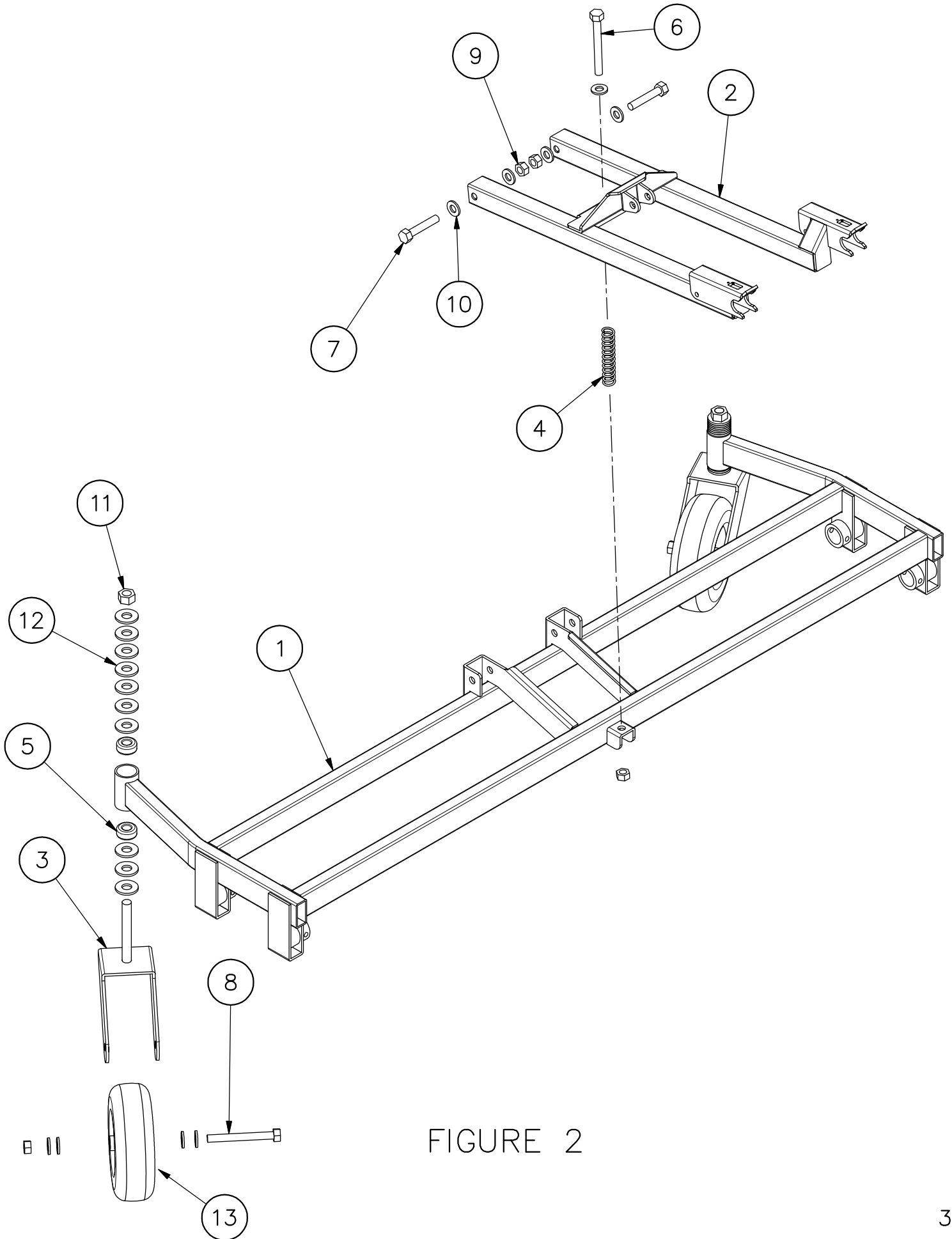


FIGURE 2

QUICK RELEASE ASSEMBLY

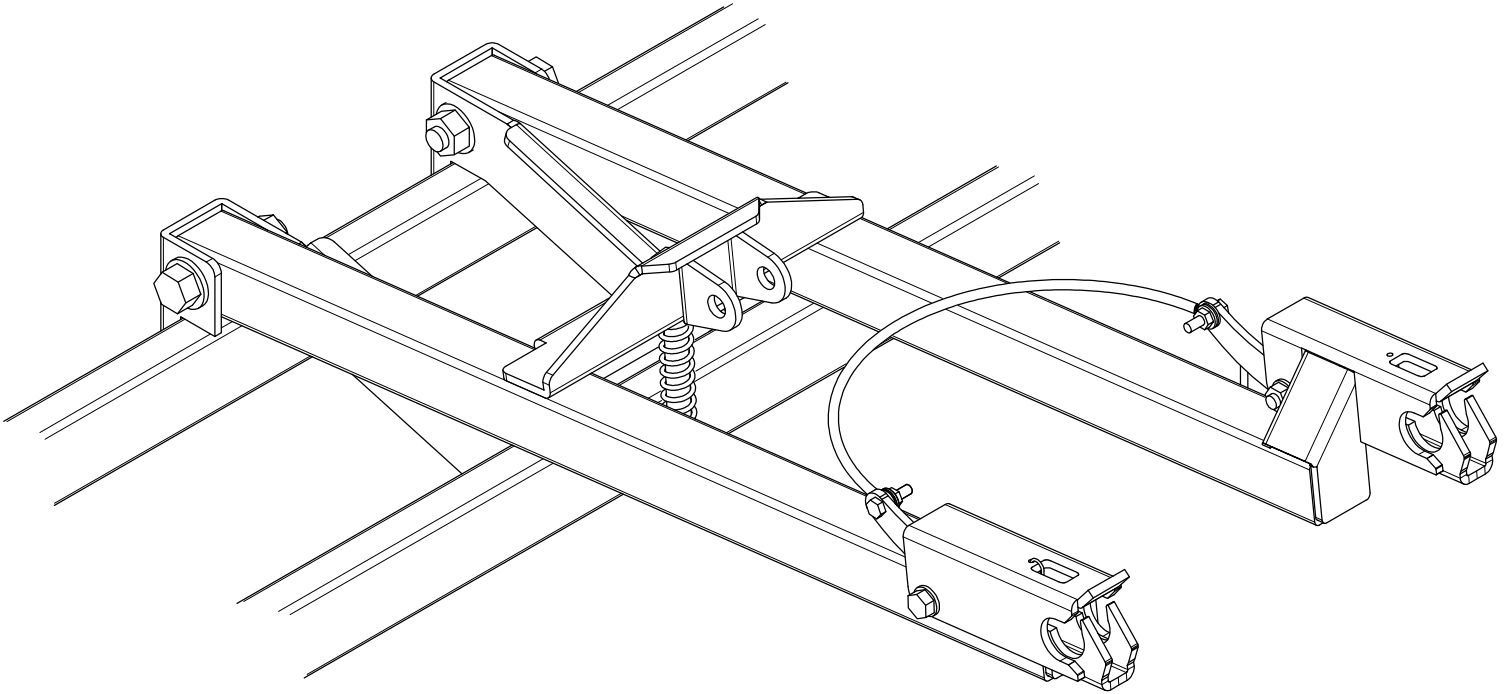
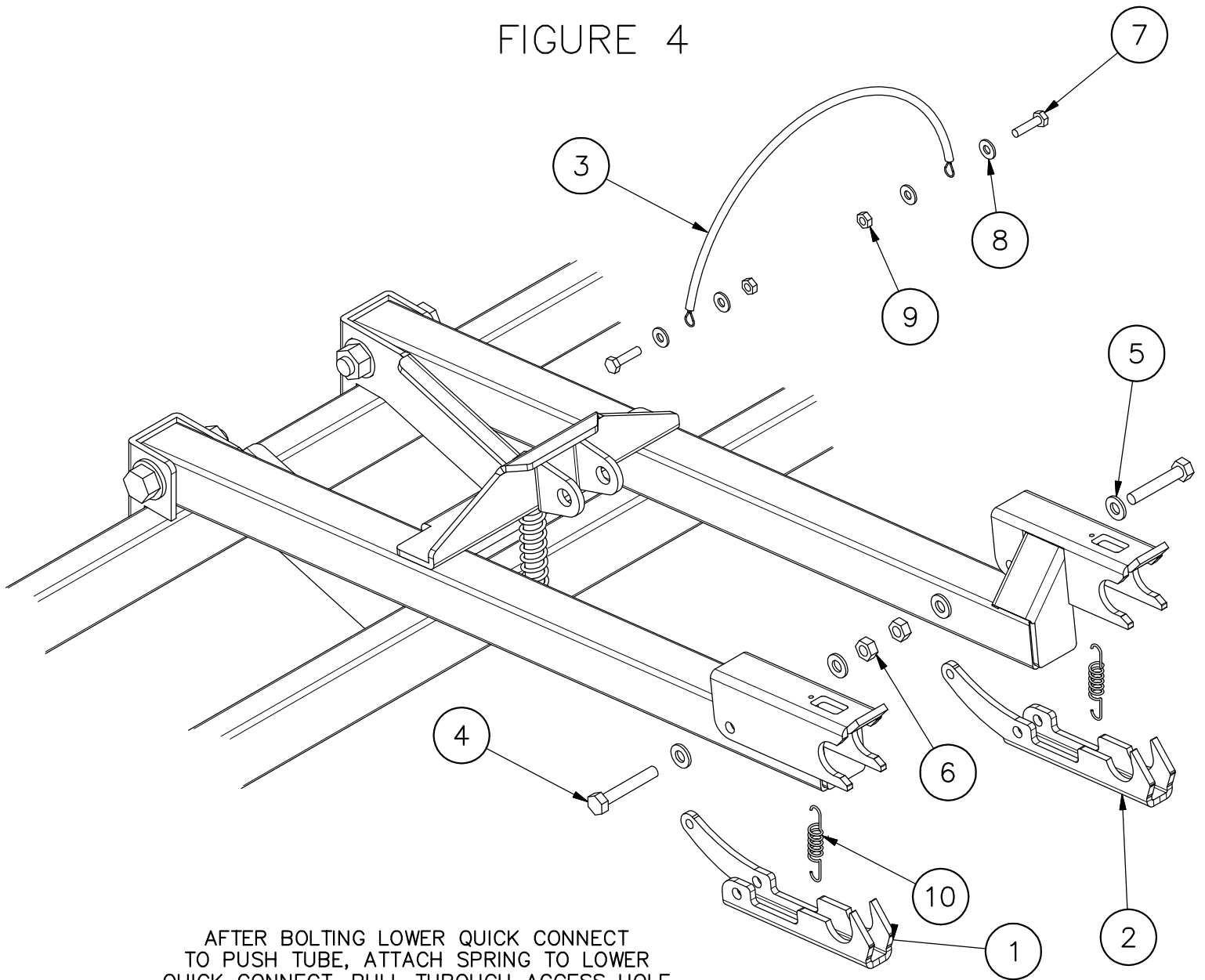


FIGURE 3

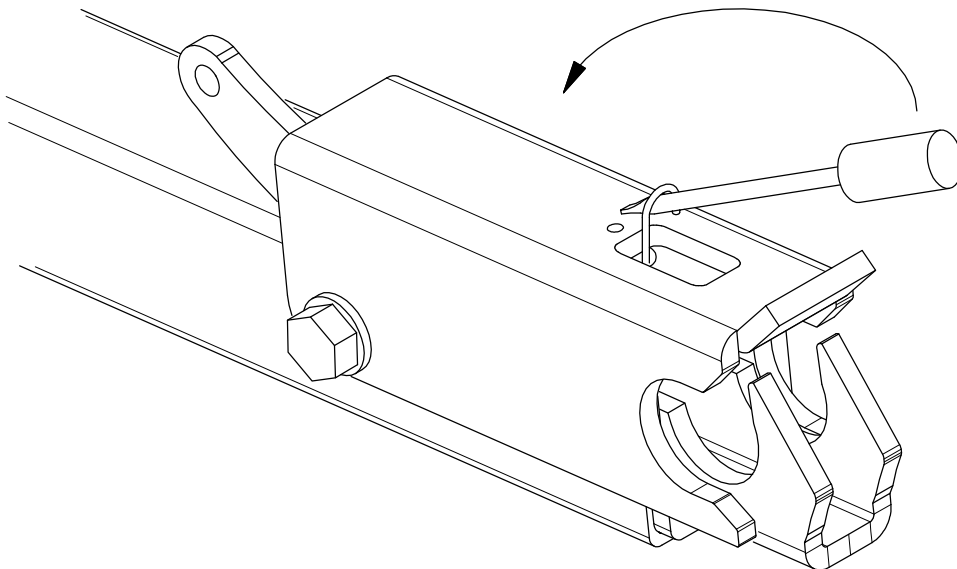
QUICK RELEASE ASSEMBLY PER FIGURE 3 AND FIGURE 4
PARTS REQUIRED PER THE BILL OF MATERIALS BELOW

ITEM NO.	QTY.	PART NO.	DESCRIPTION
1	1	ZTRP0001	RIGHT LOWER QUICK CONNECT
2	1	ZTRP0001A	LEFT LOWER QUICK CONNECT
3	1	ZTRP0024	QUICK RELEASE CABLE
4	2	-	BOLT 5/16" x 2.00"
5	4	-	FLAT WASHER 5/16" SAE
6	2	-	NYLOCK NUT 5/16"
7	2	-	BOLT 1/4" x 1.00"
8	4	-	FLAT WASHER 1/4" SAE
9	2	-	NYLOCK NUT 1/4"
10	2	ZTRPUR001	QUICK RELEASE SPRING

FIGURE 4



AFTER BOLTING LOWER QUICK CONNECT TO PUSH TUBE, ATTACH SPRING TO LOWER QUICK CONNECT, PULL THROUGH ACCESS HOLE AND TWIST UNTIL TOP SPRING HOOK ENGAGES HOLE.



TINE ASSEMBLY

ASSEMBLE SO THAT TINE SPRINGS POINT
TOWARDS THE FRONT WHEN "D1" AND D2
ARE ON THE SAME SIDE.

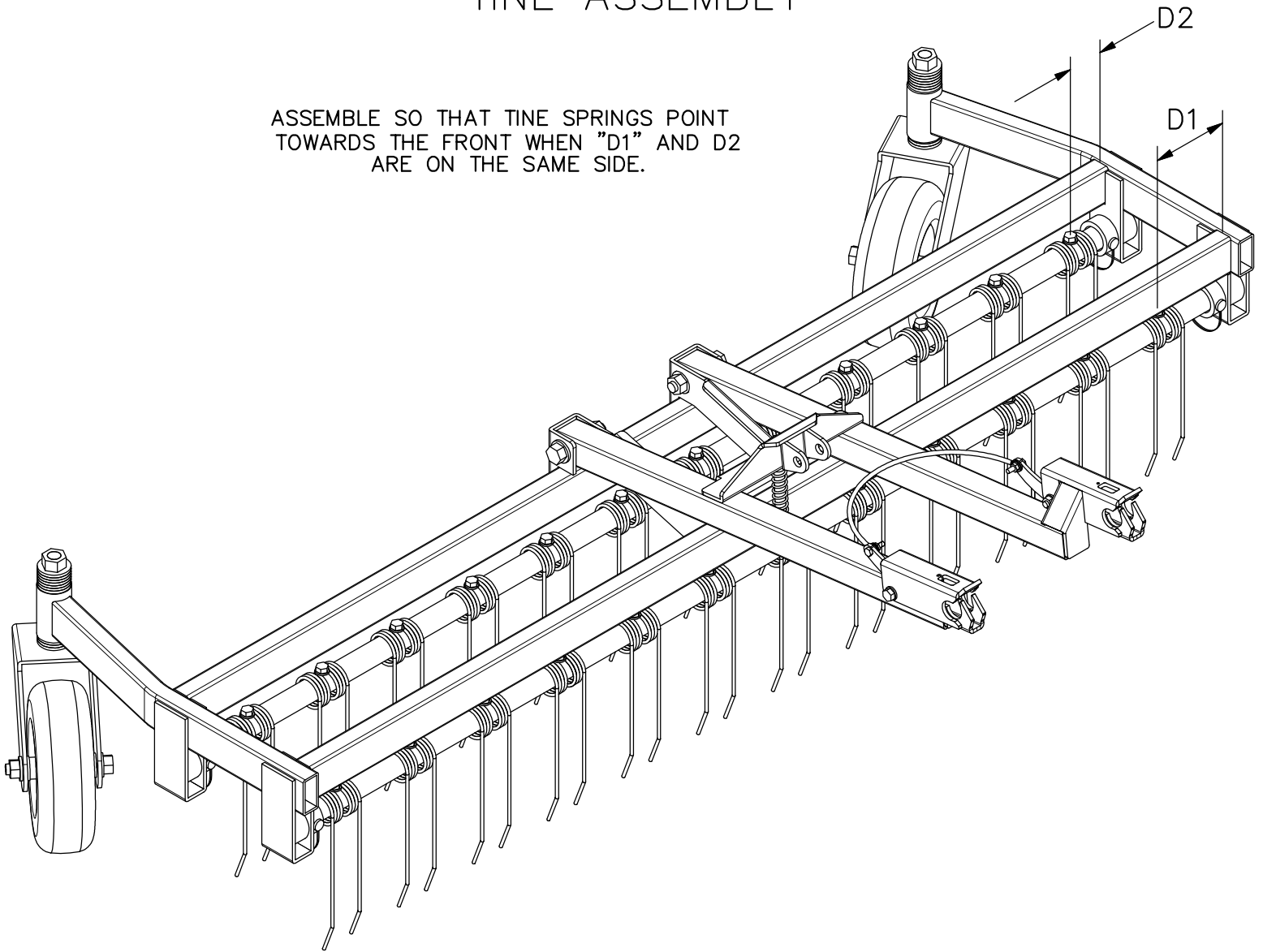
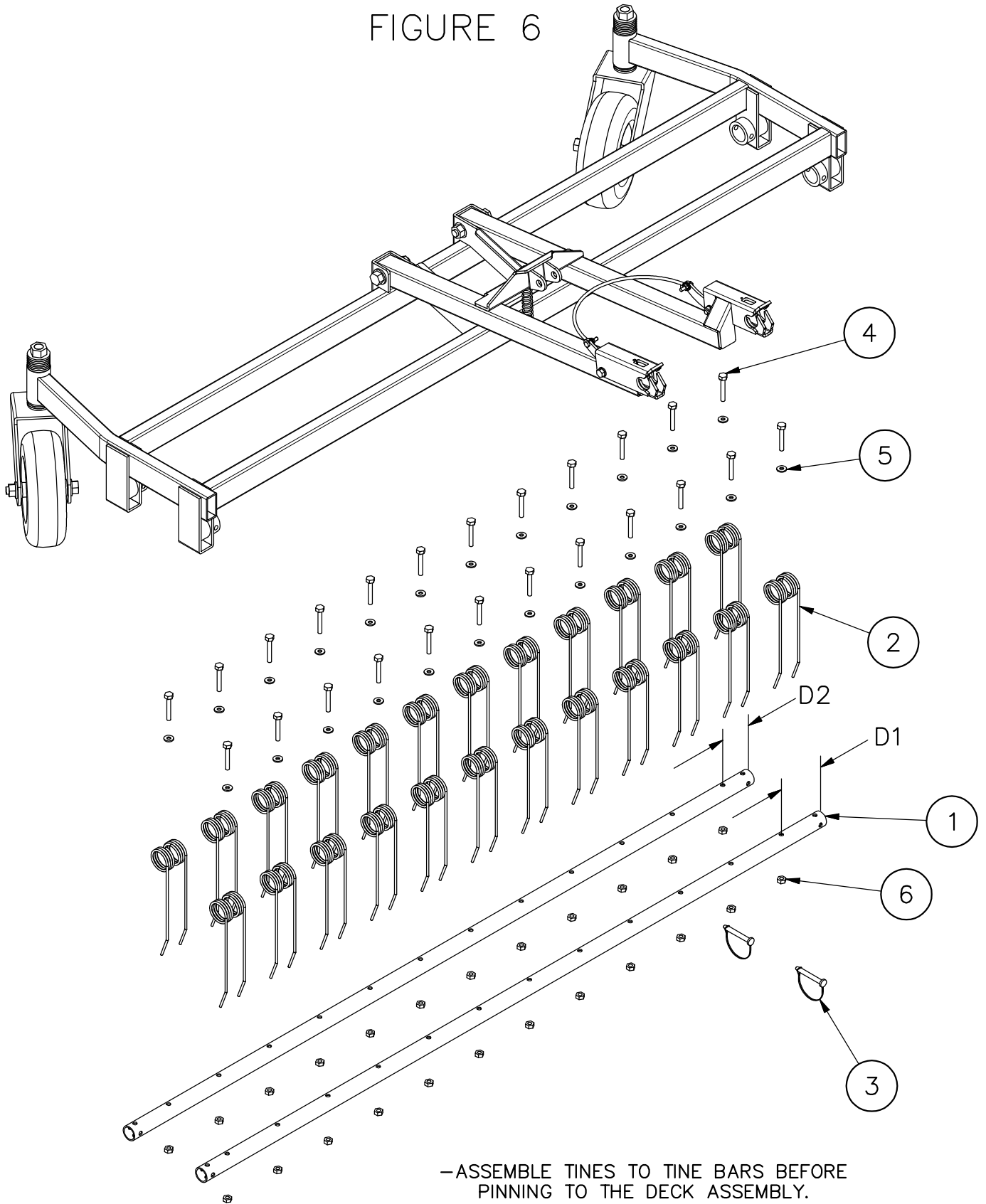


FIGURE 5

TINE ASSEMBLY PER FIGURE 5 AND FIGURE 6
PARTS REQUIRED PER THE BILL OF MATERIALS BELOW

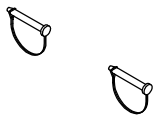
ITEM NO.	QTY.	PART NO.	DESCRIPTION
1	2	ZTRP0038	TINE TUBE
2	24	-	SPRING TINE
3	4	-	RETAINING PIN
4	24	-	BOLT 5/16" x 2.00"
5	24	-	FLAT WASHER 5/16" SAE
6	24	-	NYLOCK NUT 5/16"

FIGURE 6



-ASSEMBLE TINES TO TINE BARS BEFORE
PINNING TO THE DECK ASSEMBLY.

-ASSEMBLE SO THAT TINE SPRINGS POINT
TOWARDS THE FRONT WHEN "D1" AND D2
ARE ON THE SAME SIDE.



TELESCOPIC SWIVEL MOUNT ASSEMBLY

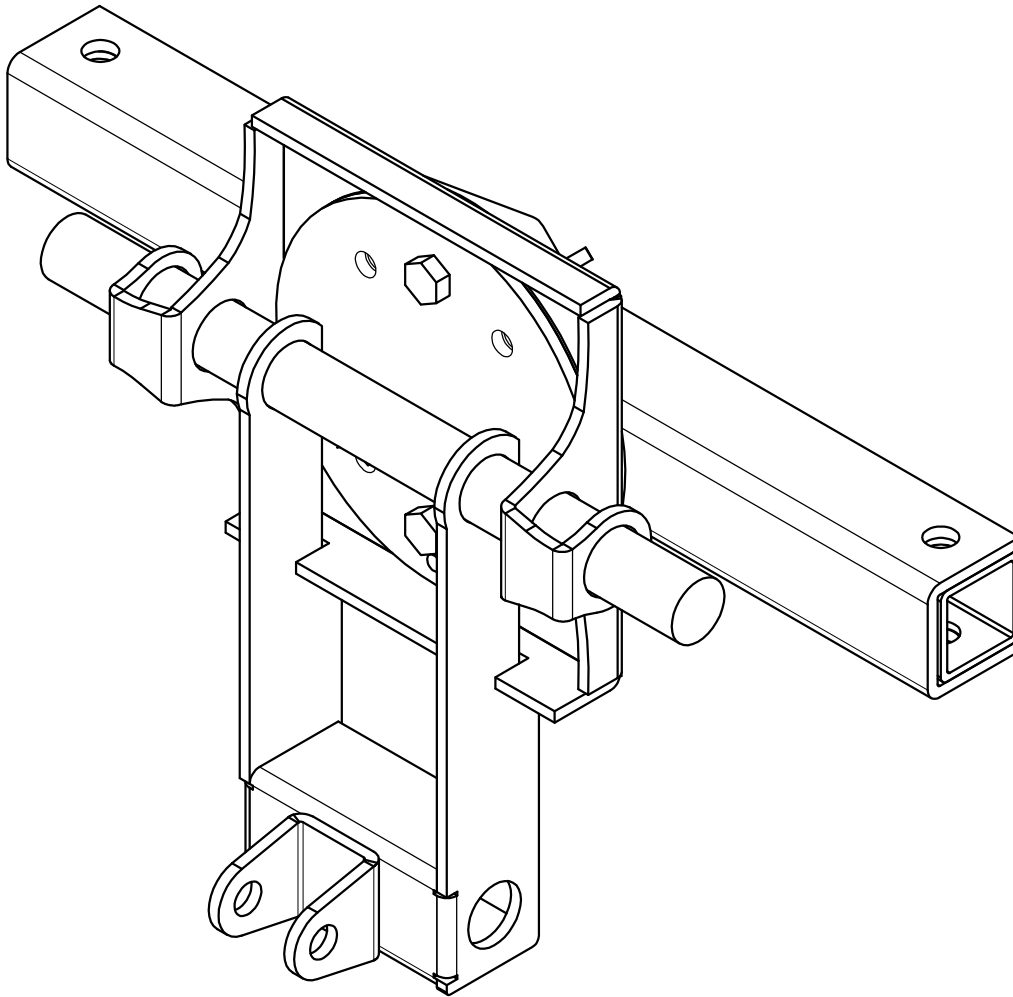
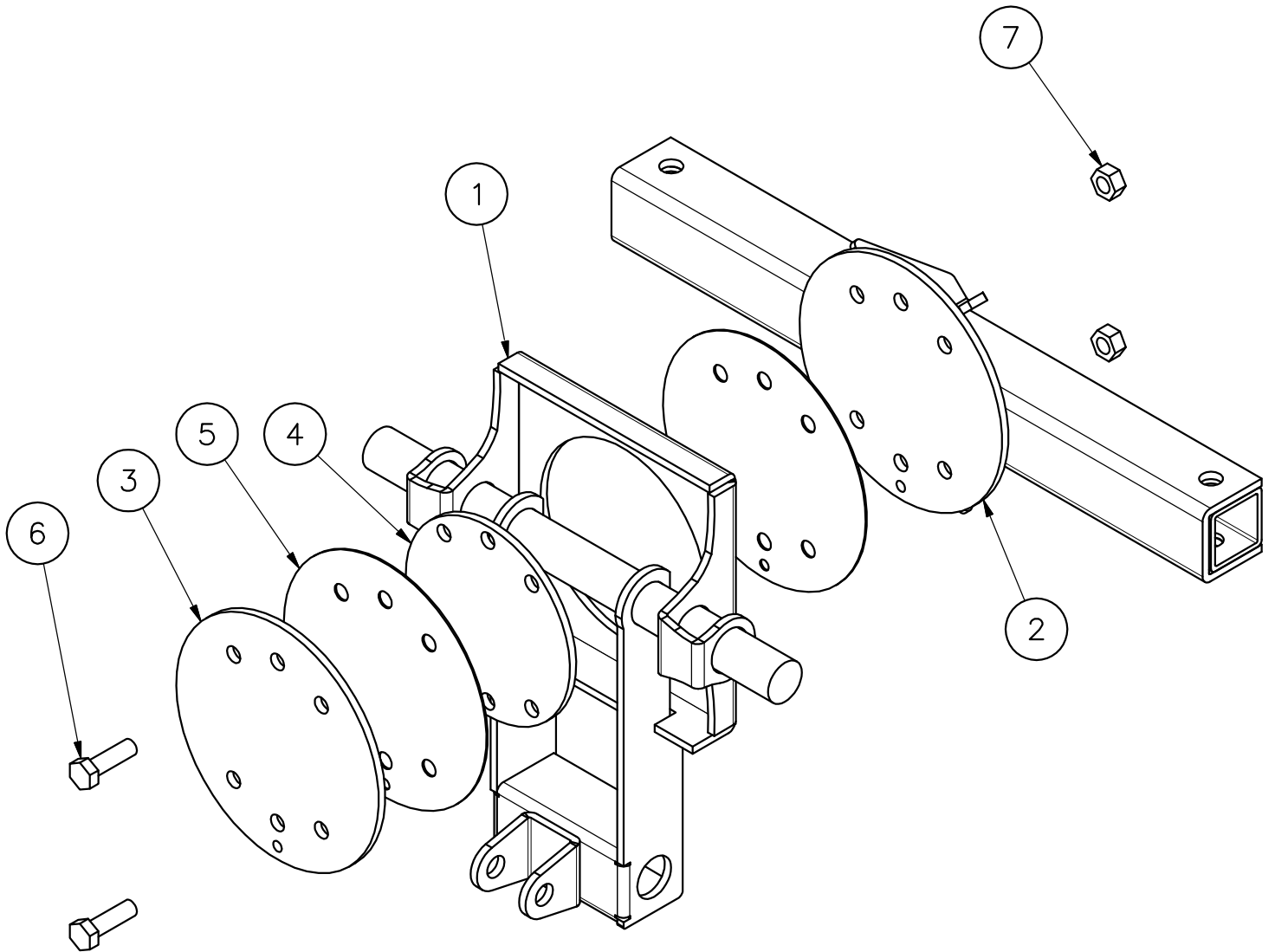


FIGURE 7

TELESCOPIC SWIVEL MOUNT ASSEMBLY PER FIGURE 7 AND FIGURE 8
PARTS REQUIRED PER THE BILL OF MATERIALS BELOW

ITEM NO.	QTY.	PART NO.	DESCRIPTION
1	1	ZTRW0002	SWIVEL MOUNT
2	1	ZTRW0003	TELESCOPING MOUNT
3	1	ZTRP0016	6" FRONT HOLD PLATE
4	1	ZTRW0015	4" CENTER PIVOT DISC
5	2	ZTRP0022	TEFLON WASHER
6	2	-	BOLT 3/8" x 1.25"
7	2	-	NYLOCK NUT 3/8"

FIGURE 8



TELESCOPING ARMS AND HANGER ASSEMBLY

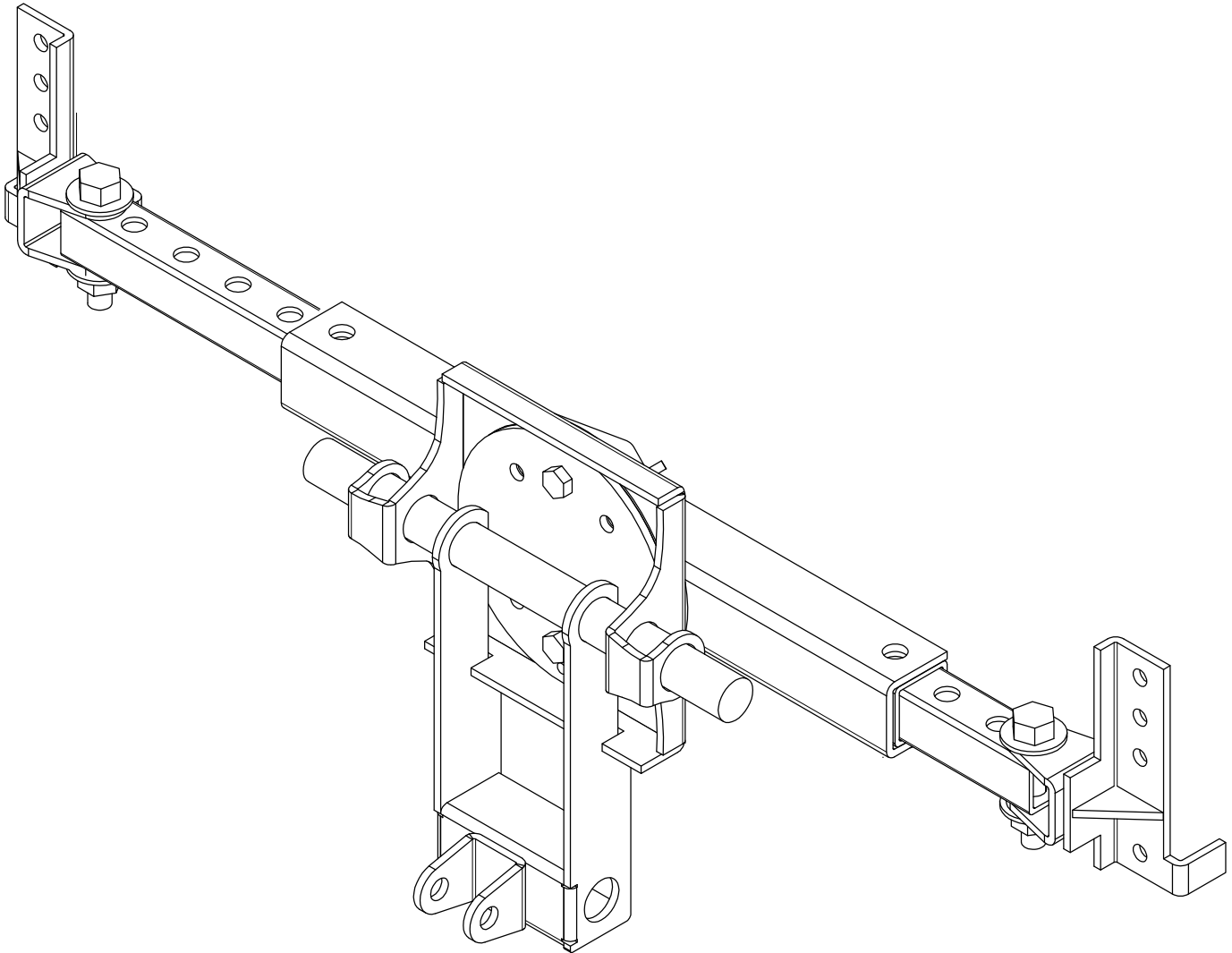


FIGURE 9

TELESCOPING ARMS AND HANGER ASSEMBLY PER FIGURE 9 AND FIGURE 10
PARTS REQUIRED PER THE BILL OF MATERIALS BELOW

ITEM NO.	QTY.	PART NO.	DESCRIPTION
1	1	-	TELESCOPIC SWIVEL MOUNT ASSY
2	1	ZTRW0004	FRONT HANGER BRACKET
3	1	ZTRW0004A	FRONT HANGER BRACKET
4	2	ZTRP0020	1.25' UNIVERSAL MOUNT TELESCOPE TUBE
5	2	-	BOLT 1/2" x 2.25"
6	2	-	FLAT WASHER 1/2" SAE
7	2	-	NYLOCK NUT 1/2"

FIGURE 10

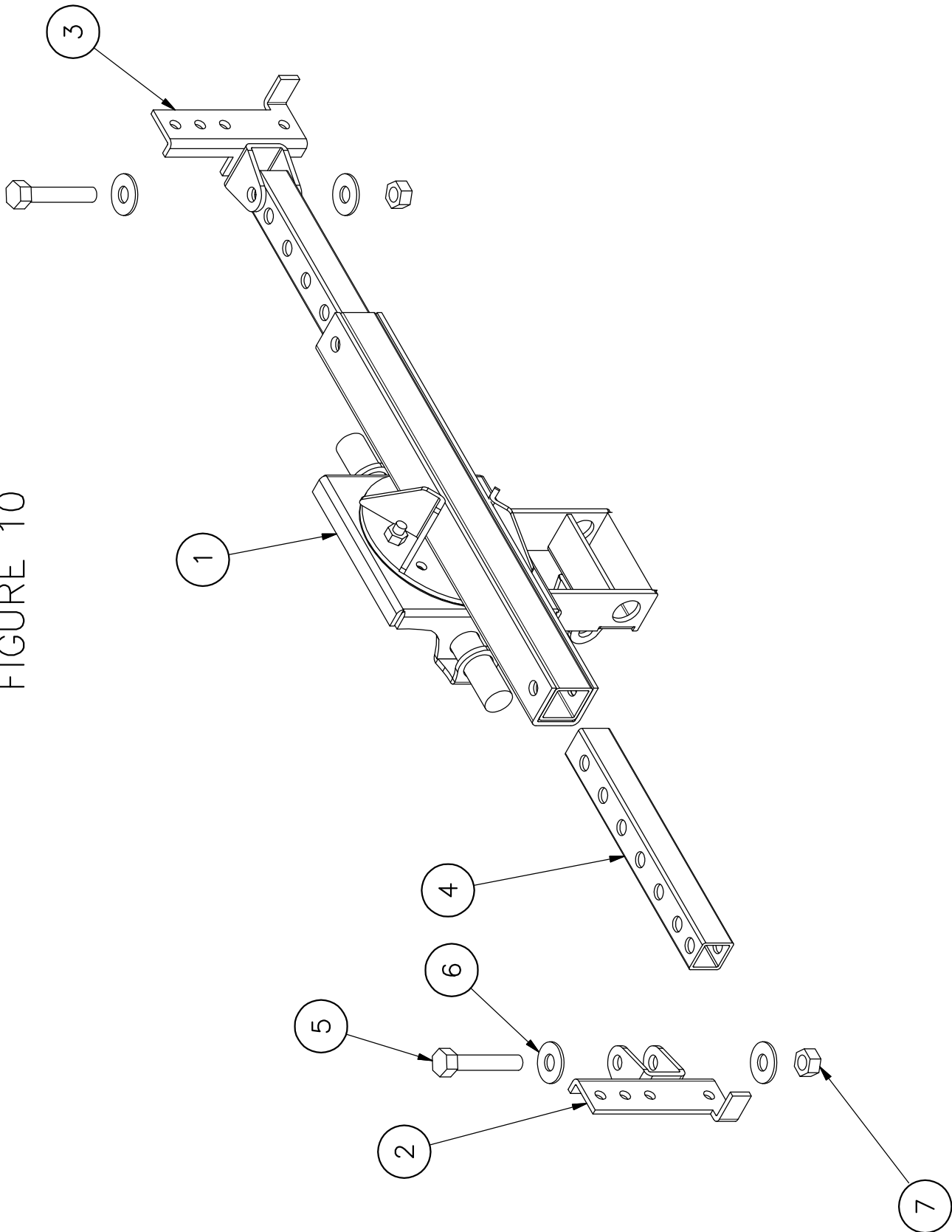
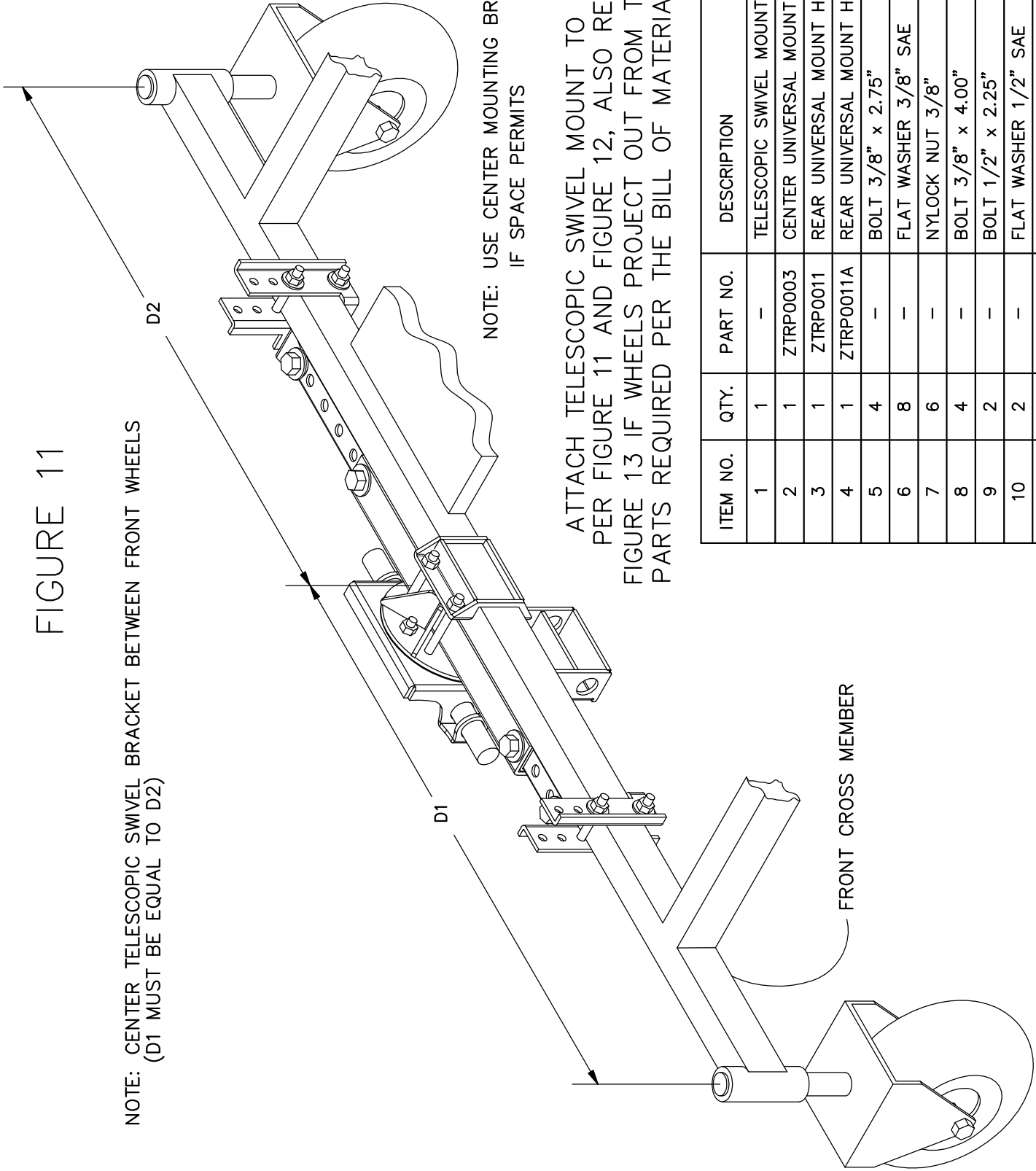


FIGURE 11

NOTE: CENTER TELESCOPIC SWIVEL BRACKET BETWEEN FRONT WHEELS
(D1 MUST BE EQUAL TO D2)

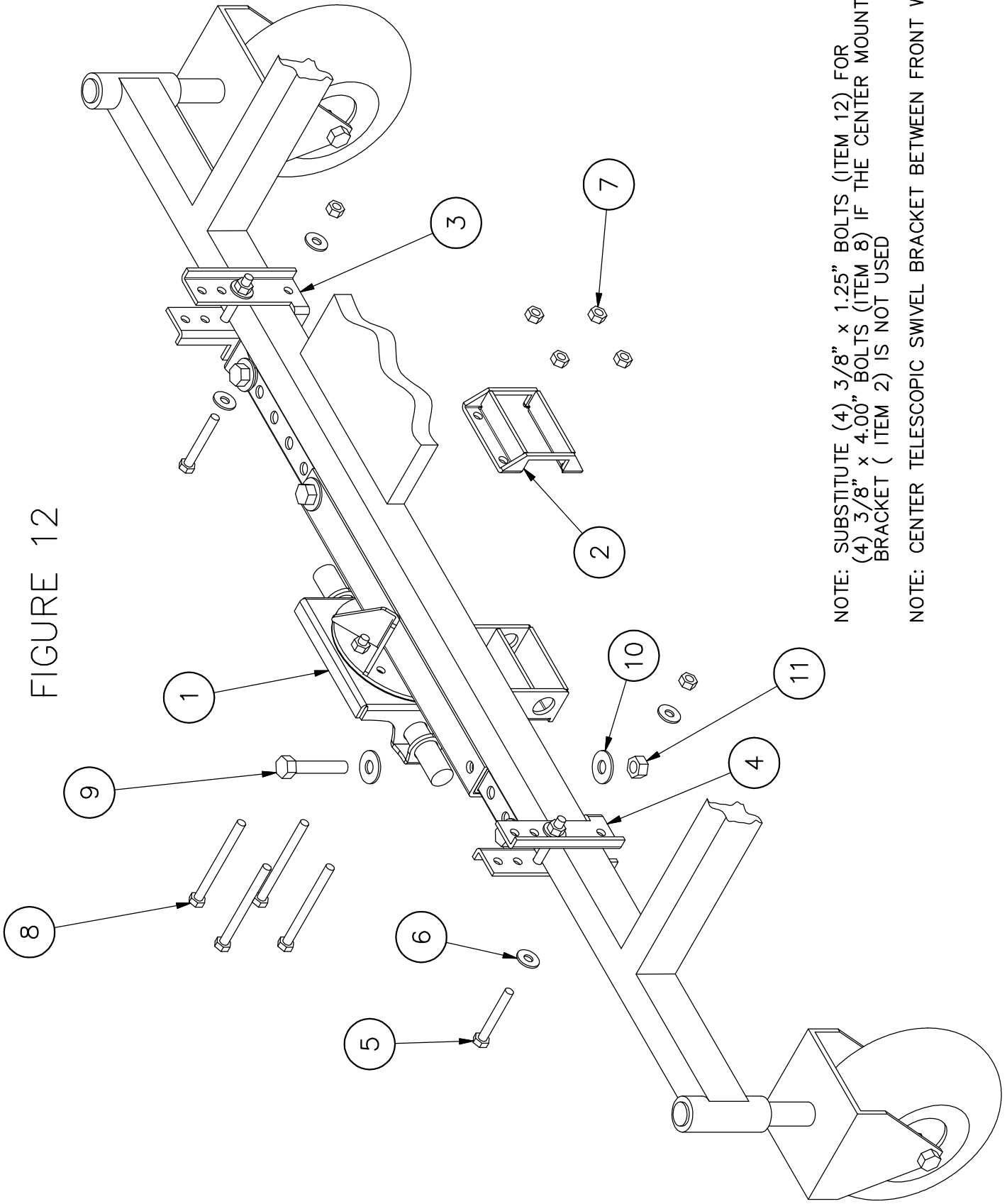


NOTE: USE CENTER MOUNTING BRKT (ITEM 2).
IF SPACE PERMITS

ATTACH TELESCOPIC SWIVEL MOUNT TO FRAME
PER FIGURE 11 AND FIGURE 12, ALSO REFER TO
FIGURE 13 IF WHEELS PROJECT OUT FROM THE FRONT
PARTS REQUIRED PER THE BILL OF MATERIALS BELOW

ITEM NO.	QTY.	PART NO.	DESCRIPTION
1	1	-	TELESCOPIC SWIVEL MOUNT ASSY.
2	1	ZTRP0003	CENTER UNIVERSAL MOUNT HANGER
3	1	ZTRP0011	REAR UNIVERSAL MOUNT HANGER
4	1	ZTRP0011A	REAR UNIVERSAL MOUNT HANGER
5	4	-	BOLT 3/8" x 2.75"
6	8	-	FLAT WASHER 3/8" SAE
7	6	-	NYLOCK NUT 3/8"
8	4	-	BOLT 3/8" x 4.00"
9	2	-	BOLT 1/2" x 2.25"
10	2	-	FLAT WASHER 1/2" SAE
11	2	-	NYLOCK NUT 1/2"
12	2	-	BOLT 3/8" x 1.25"

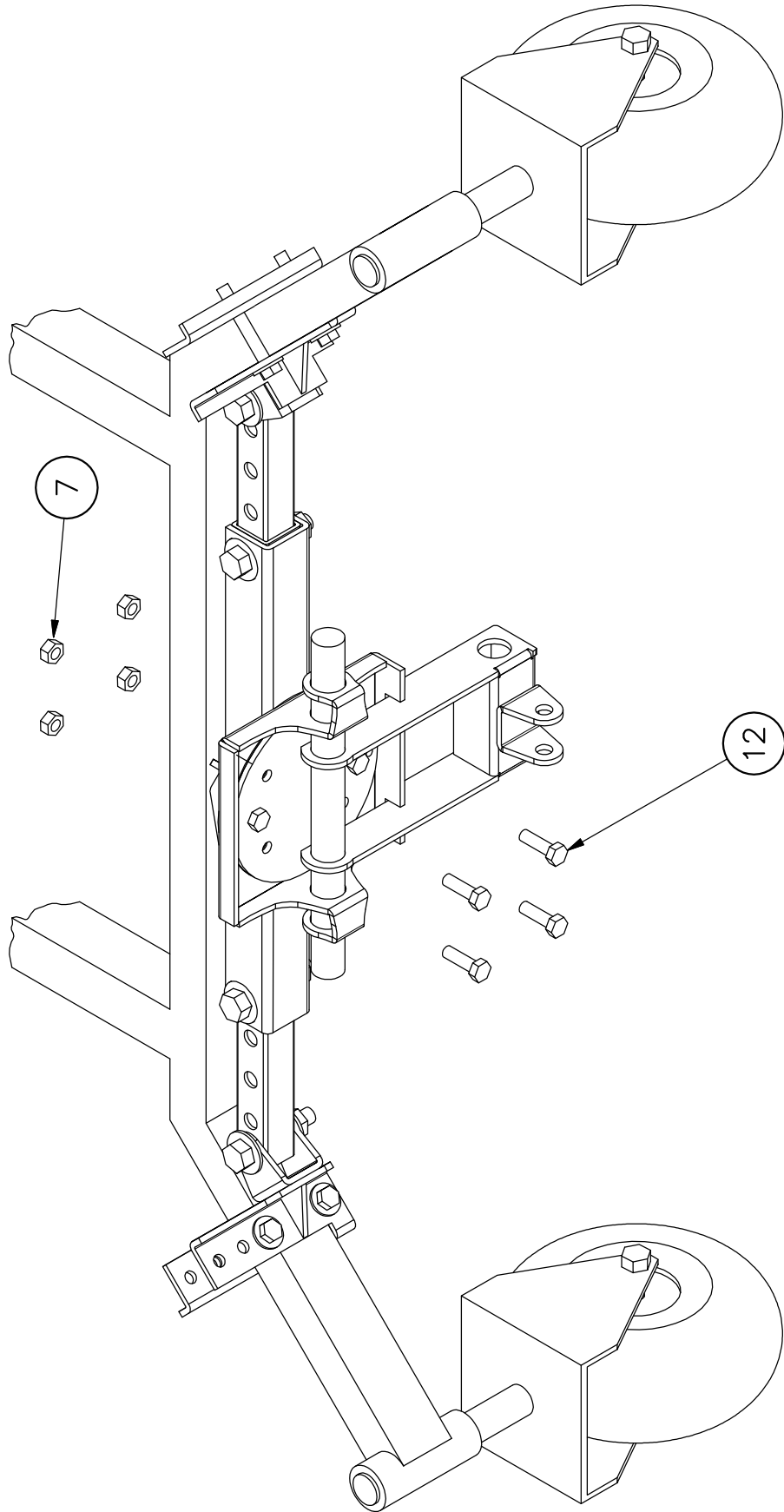
FIGURE 12



NOTE: SUBSTITUTE (4) 3/8" x 1.25" BOLTS (ITEM 12) FOR
(4) 3/8" x 4.00" BOLTS (ITEM 8) IF THE CENTER MOUNTING
BRACKET (ITEM 2) IS NOT USED

NOTE: CENTER TELESCOPIC SWIVEL BRACKET BETWEEN FRONT WHEELS

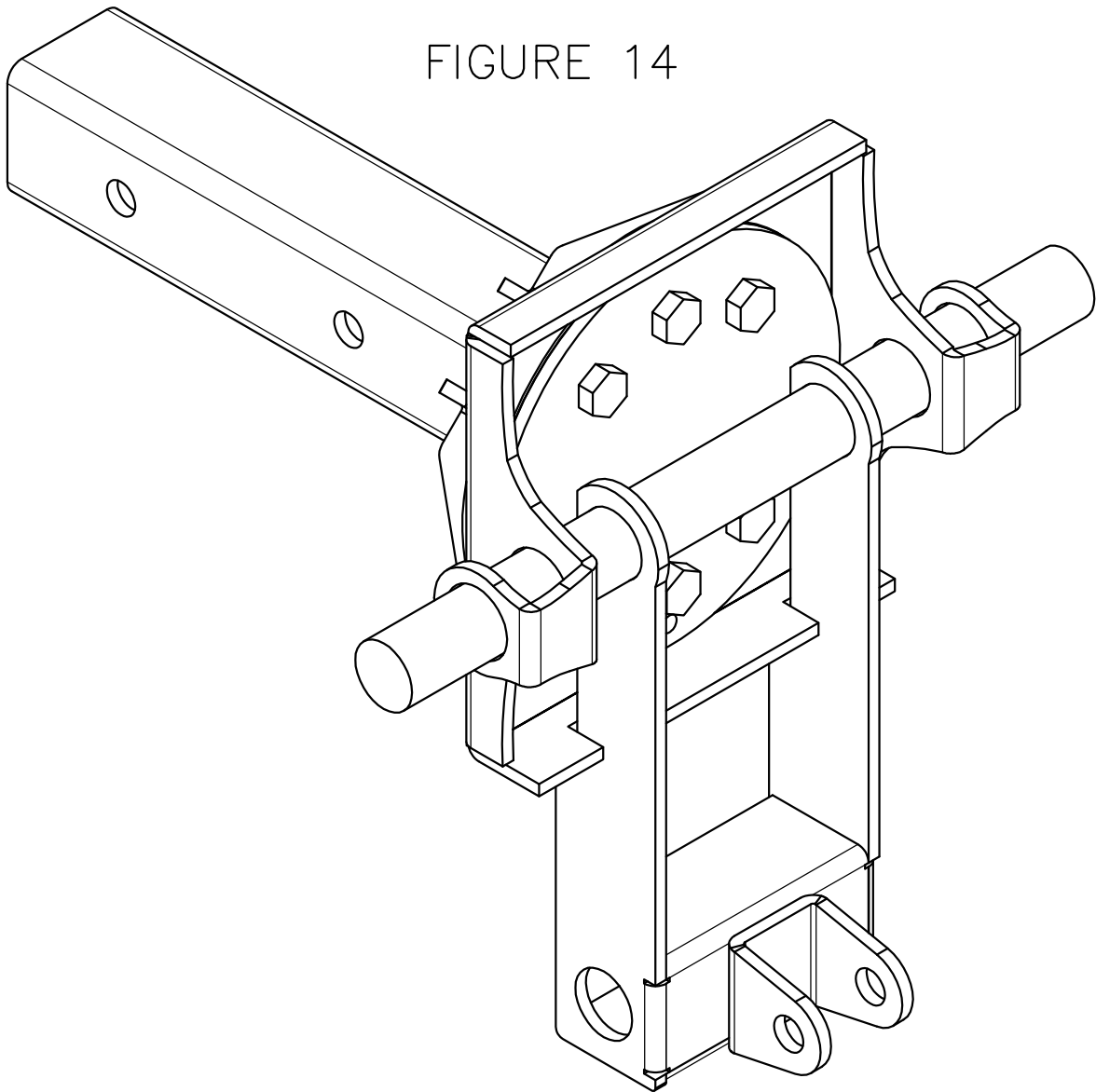
FIGURE 13



NOTE: CENTER TELESCOPIC SWIVEL BRACKET BETWEEN FRONT WHEELS

SINGLE POINT SWIVEL MOUNT ASSEMBLY

FIGURE 14



SINGLE POINT SWIVEL MOUNT ASSEMBLY PER FIGURE 14 AND FIGURE 15
PARTS REQUIRED PER THE BILL OF MATERIALS BELOW

ITEM NO.	QTY.	PART NO.	DESCRIPTION
1	1	ZTRW0002	SWIVEL MOUNT
2	1	ZTRW0005	BAD BOY MOUNT
3	1	ZTRP0016	6" FRONT HOLD PLATE
4	1	ZTRW0015	4" CENTER PIVOT DISC
5	2	ZTRP0022	TEFLON WASHER
6	6	-	BOLT 3/8" x 1.25"
7	6	-	NYLOCK NUT 3/8"

FIGURE 15

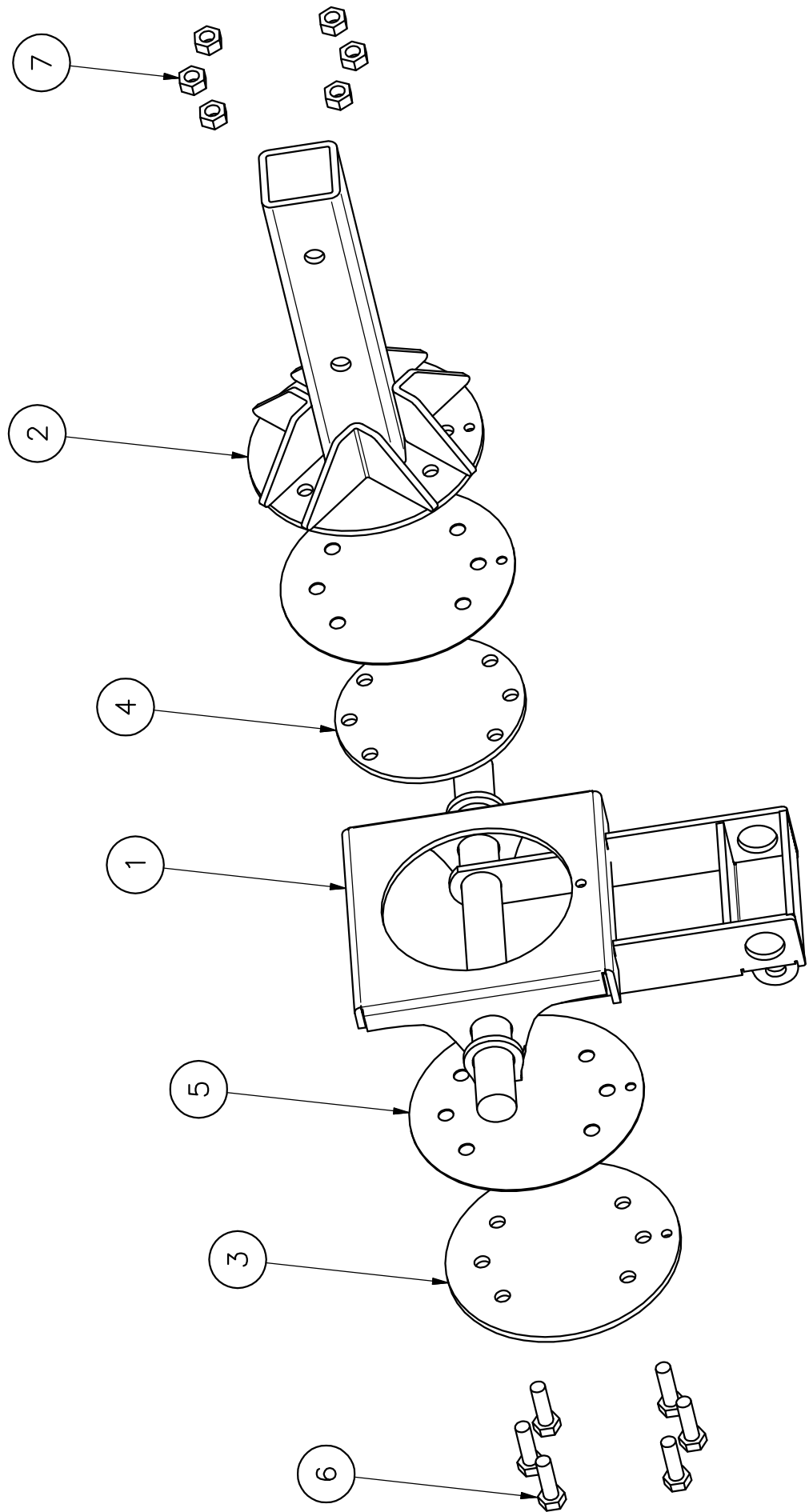
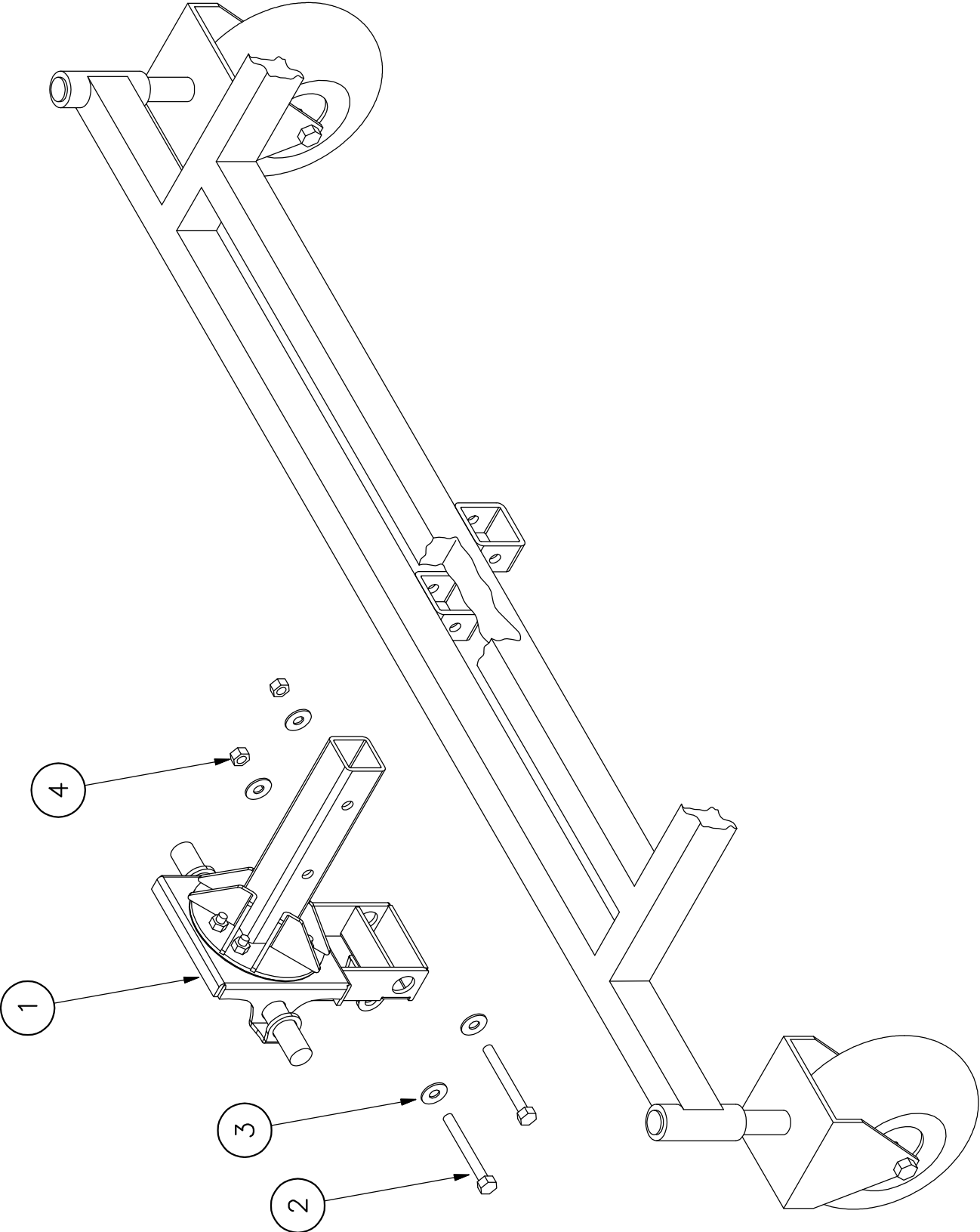
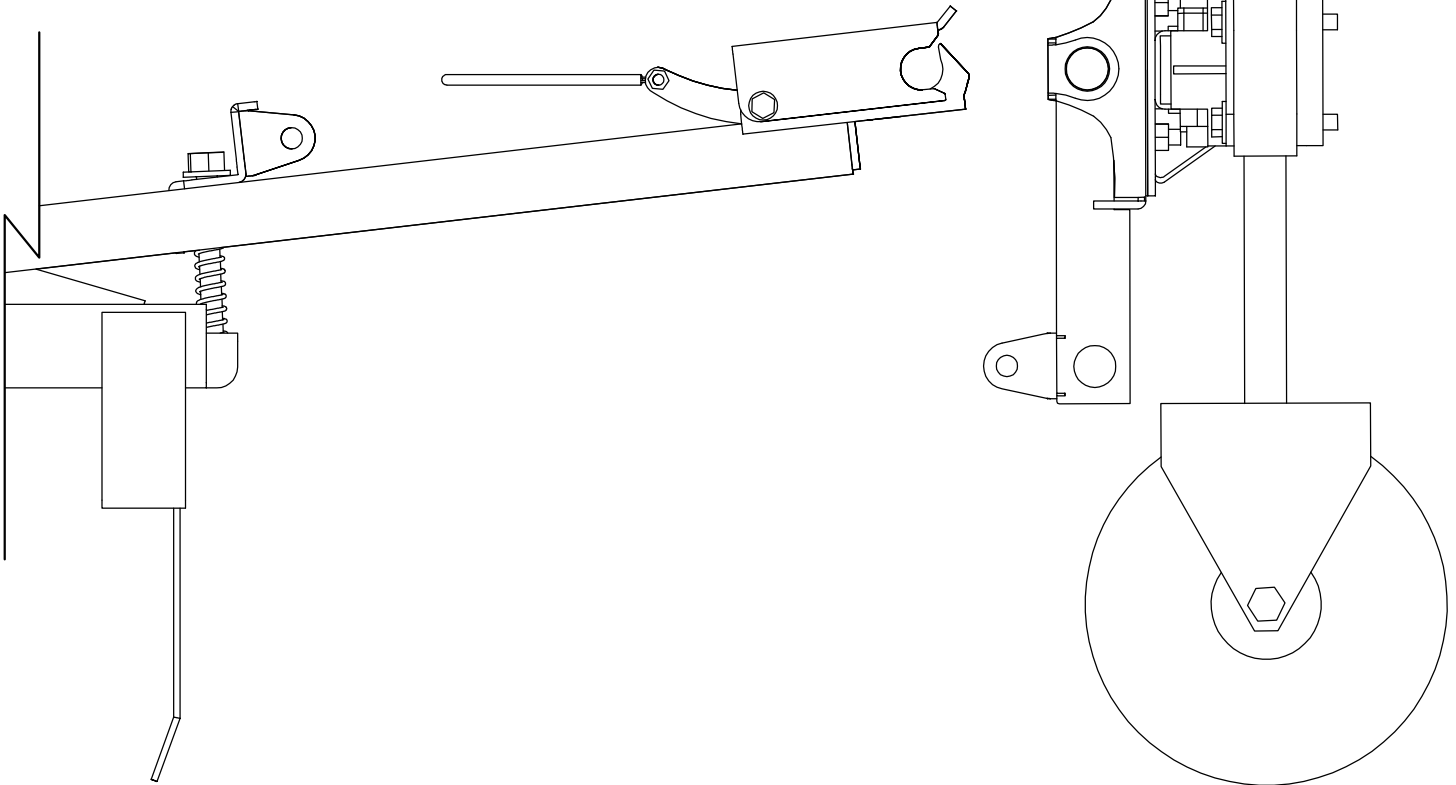
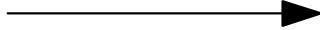


FIGURE 17

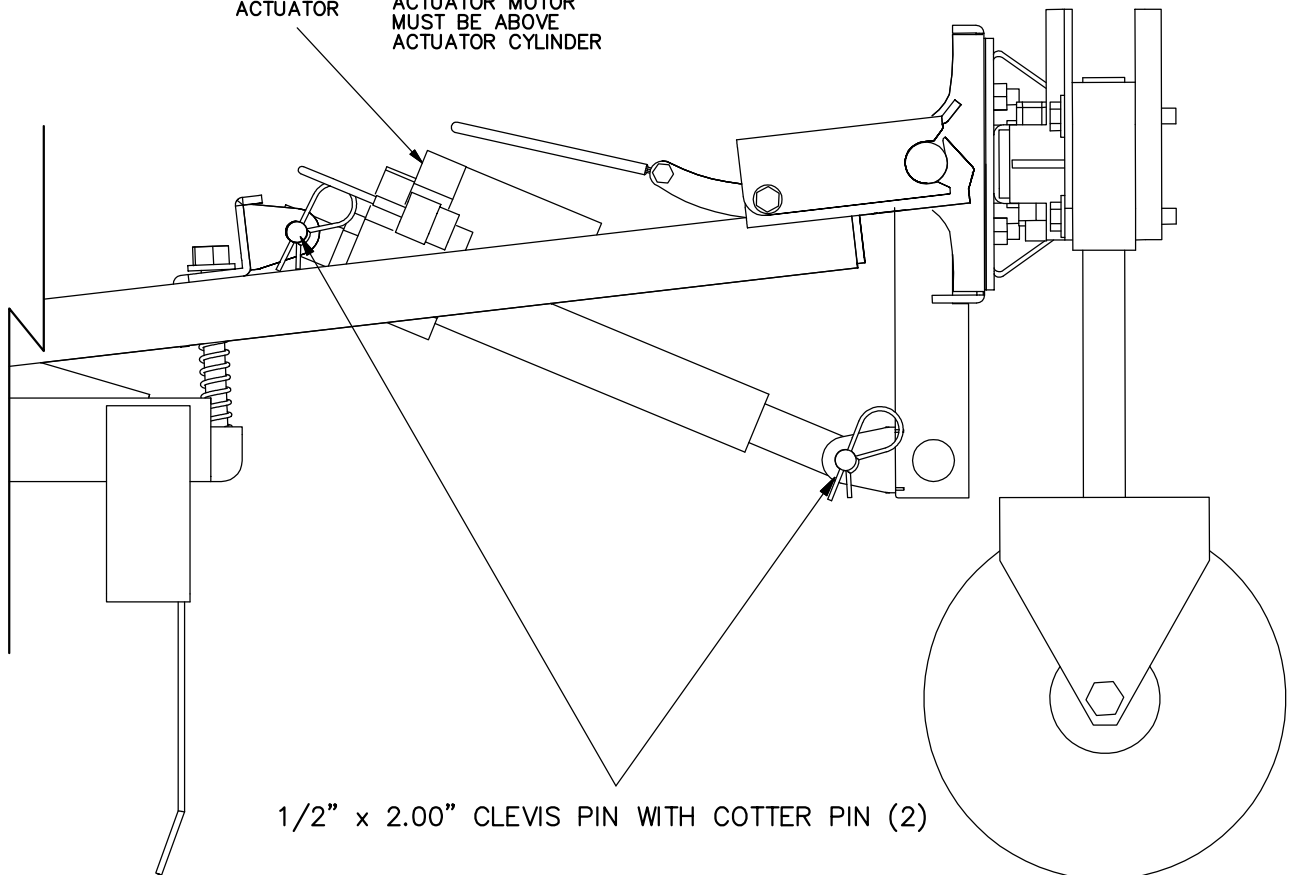


ACTUATOR INSTALLATION

ENGAGE PLOW/HINGE/TUBE ASSEMBLY WITH SWIVEL MOUNT

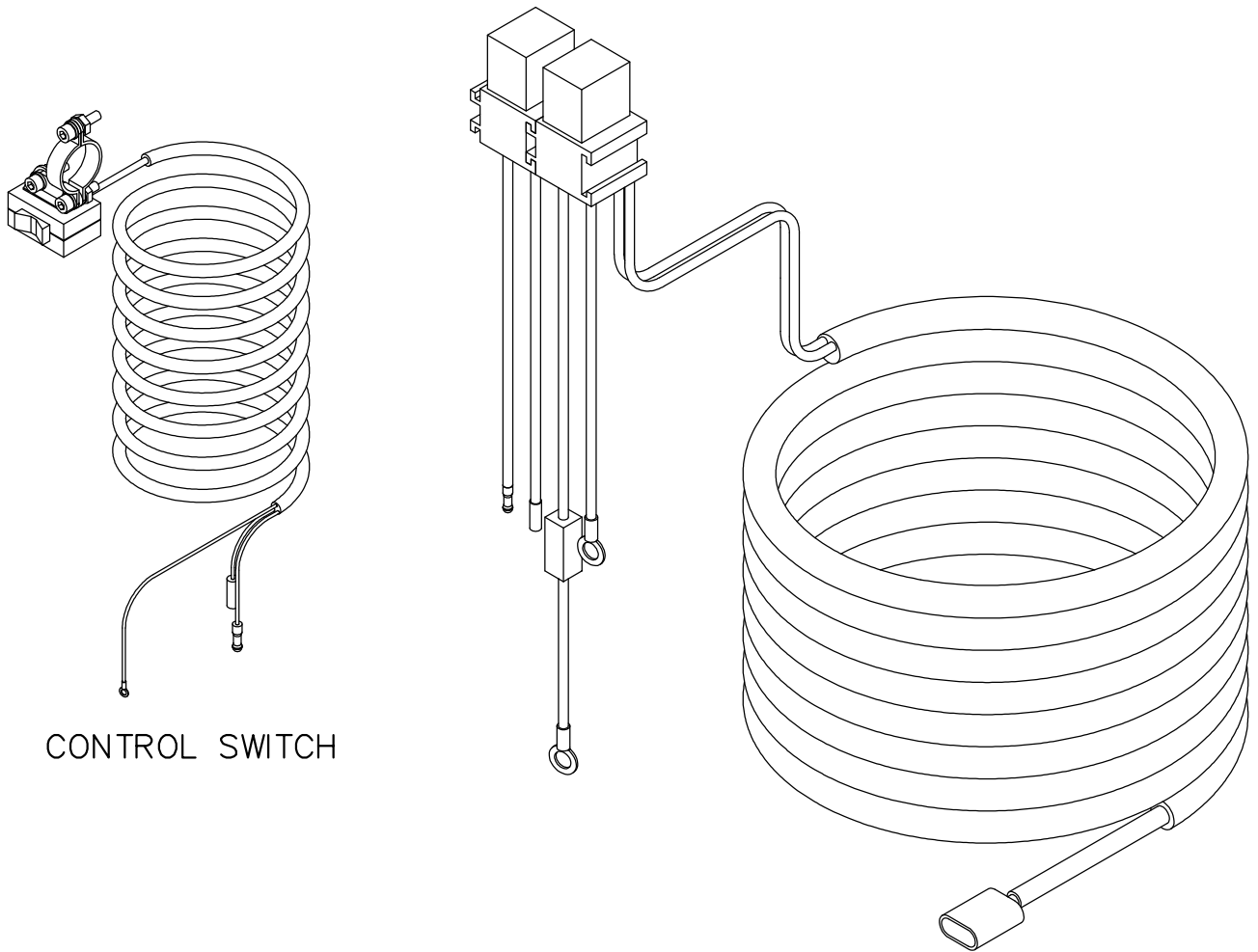


NOTE:
ACTUATOR MOTOR
MUST BE ABOVE
ACTUATOR CYLINDER



1/2" x 2.00" CLEVIS PIN WITH COTTER PIN (2)

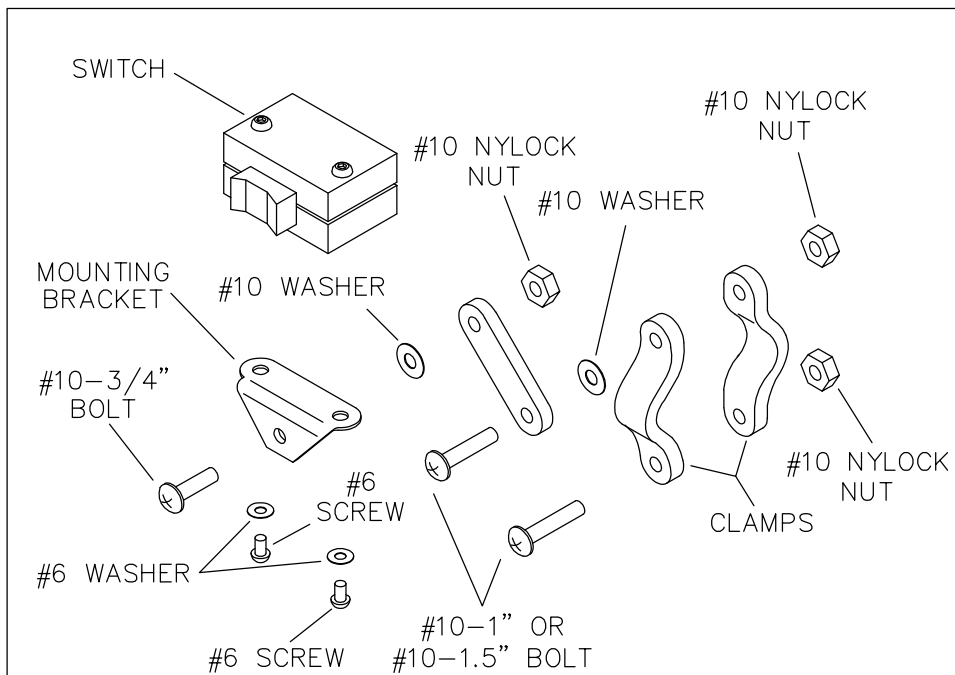
ELECTRICAL COMPONENT INSTALLATION



CONTROL SWITCH

RELAY/ACTUATOR WIRING HARNESS

CONTROL SWITCH BRACKET ASSEMBLY

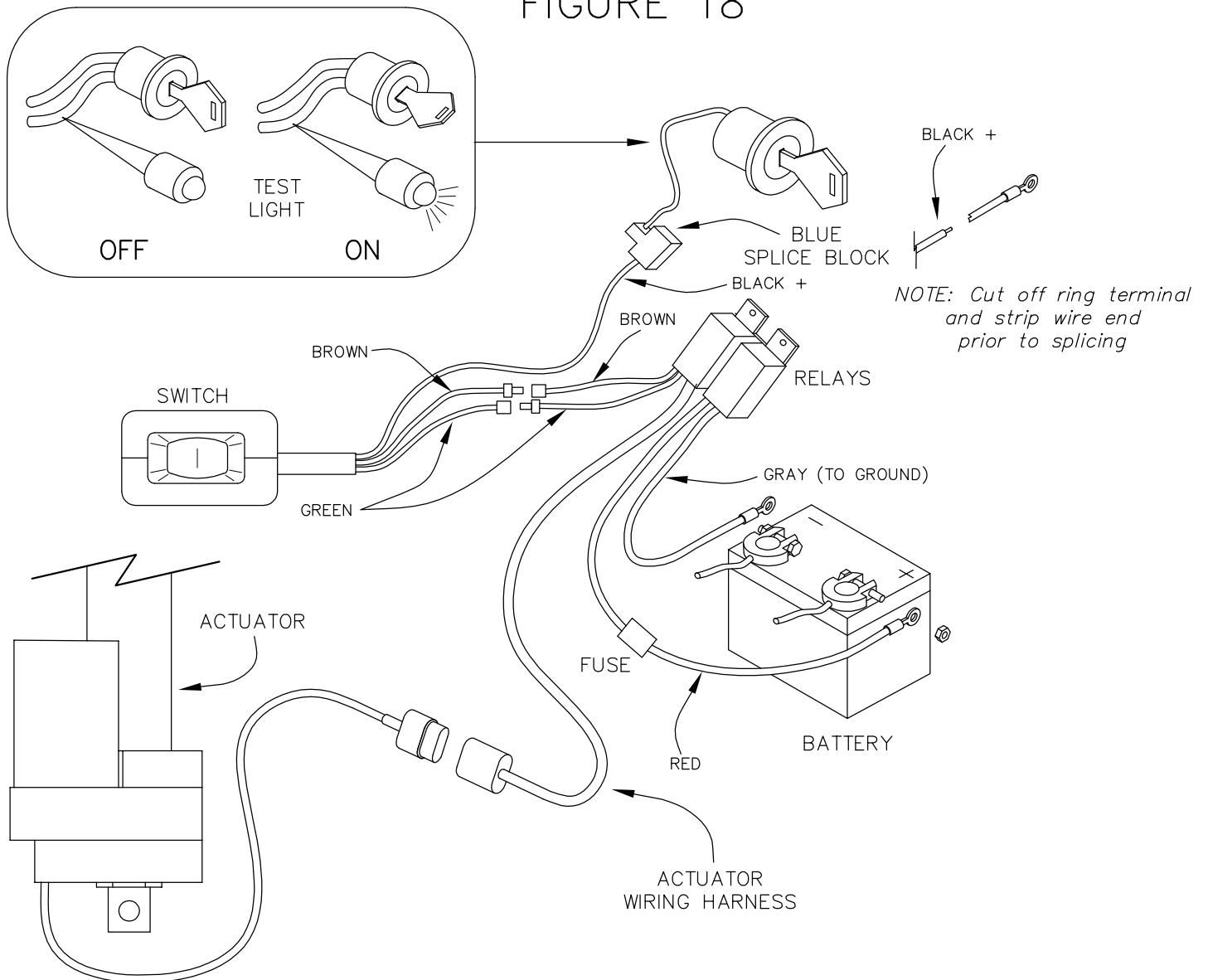


ELECTRICAL COMPONENT INSTALLATION PER FIGURE 18 AND FIGURE 19

NOTE:

1. SECURE RELAYS IN A DRY LOCATION
2. KEEP ALL WIRING CLEAR OF ROTATING OR MOVING PARTS
3. DO NOT ROUTE ANY WIRES NEAR EXHAUST COMPONENTS

FIGURE 18



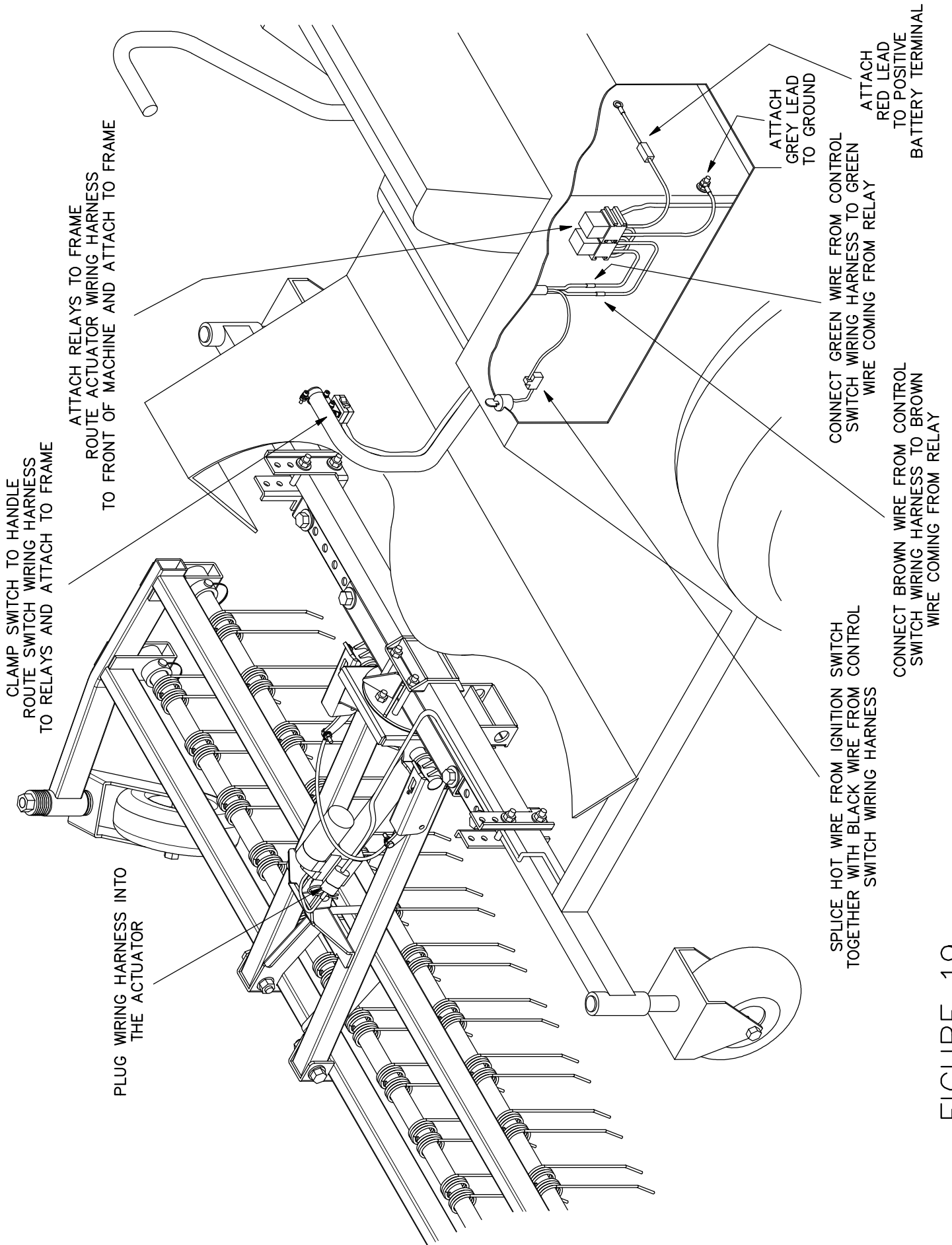
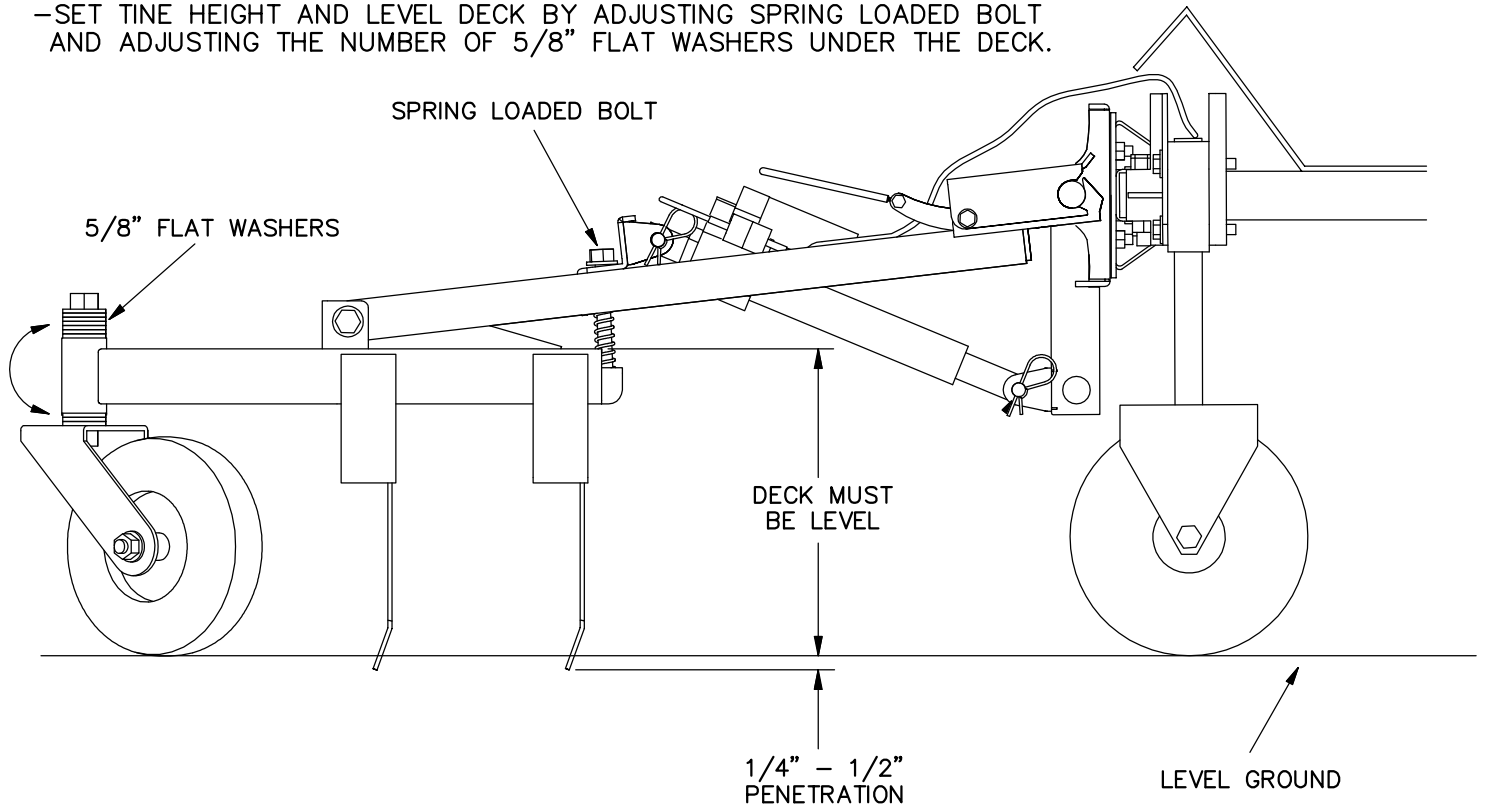


FIGURE 19

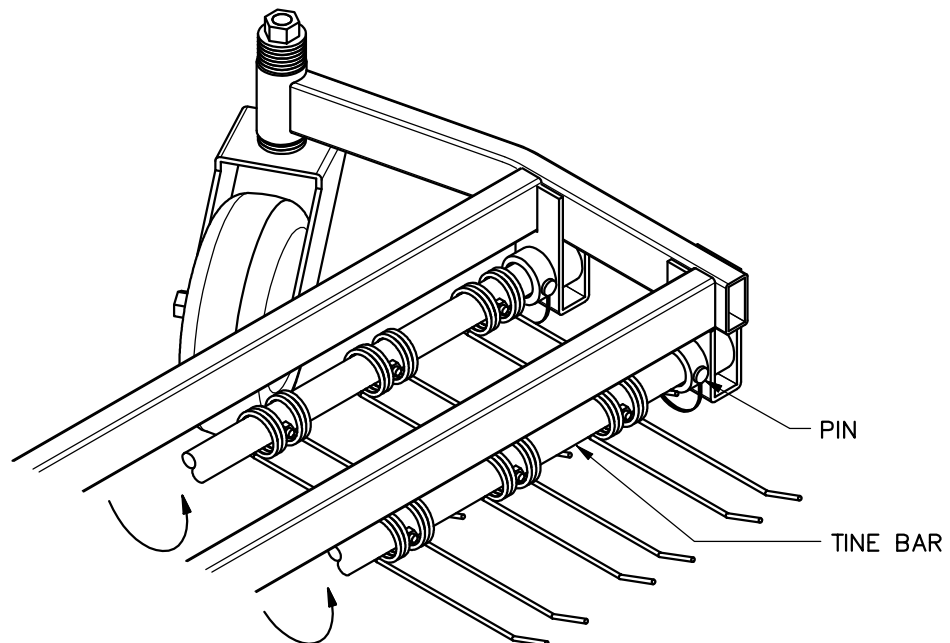
SETTING THATCHER HEIGHT

- PARK MOWER WITH THATCHER ATTACHED ON LEVEL GROUND.
- LOWER THATCHER.
- SET TINE HEIGHT AND LEVEL DECK BY ADJUSTING SPRING LOADED BOLT AND ADJUSTING THE NUMBER OF 5/8" FLAT WASHERS UNDER THE DECK.



DISENGAGING TINES

WHEN THATCHER IS NOT IN USE REMOVE PINS, ROTATE TINE BAR 90 DEGREES TOWARDS THE MOWER, AND REPLACE PINS.



!! WARNING !!
OPERATING MOWER WITH TINE BARS ROTATED TOWARDS THE FRONT OR WITH PINS REMOVED COULD CAUSE INJURY AND/OR DAMAGE TO EQUIPMENT.